

Assembly Manual

K2 SingleRail System

with roof hooks



Connecting Strength

k2-systems.com

Content

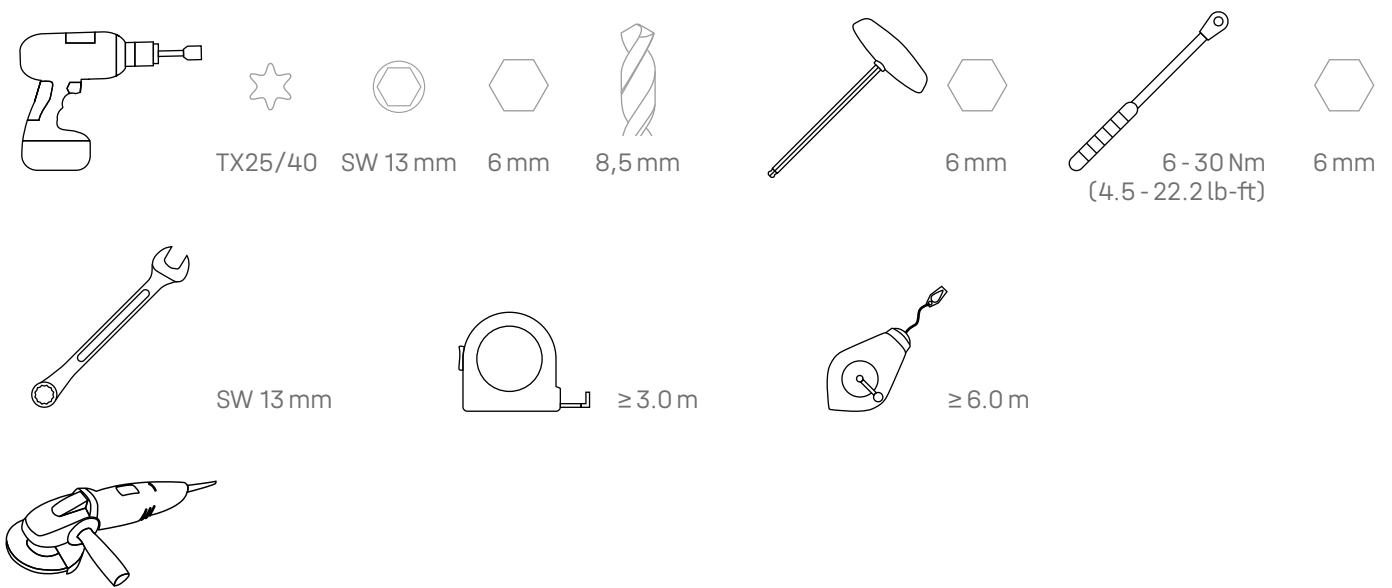
| | |
|---|-----------|
| • Tools overview | 3 |
| • General safety information | 4 |
| • The following guidelines apply | 5 |
| · Roof requirements | 5 |
| · Important mounting instructions | 5 |
| • Components | 6 |
| · Base components | 6 |
| · SingleBoards | 8 |
| · Höhenausgleich und Unterlegen | 9 |
| • Compatible roof hooks | 10 |
| · SingleHook 3S | 10 |
| · SingleHook 3S Long | 10 |
| · SingleHook 4S | 11 |
| · SingleHook 1.1 | 11 |
| · SingleHook Alpin | 12 |
| · SingleHook 2 | 12 |
| · SingleHook Vario | 13 |
| · L-Adapter for further roof hooks | 13 |
| • Assembly | 15 |
| · Notes on rooftop insulation | 15 |
| · Portrait | 16 |
| · Thermal separations | 19 |
| · Landscape with two rail layers | 20 |
| · Obstructions / roof edge: Use of SingleBoards | 22 |
| · Compensate and underlay height differences | 24 |
| · Attach BlackCover and EndCap | 25 |
| • Notes | 26 |

Quality tested - several certifications

K2 Systems stands for secure connections, highest quality and precision. Our customers and business partners have known that for a long time. Independent institutes have tested, confirmed and certified our capabilities and components.

Please find our quality and product certificates under:
k2-systems.com/en/technical-information

Tools overview



Digital Toolbox



Do you already know our digital services? Use our K2 DocuApp now and record the first important data directly at the customer or project site. Simply transfer the data to our online planning software K2 Base. Here you can plan your project easily, safely and quickly. You receive a detailed project report with assembly plan and static report. The K2+ interface enables seamless project data transfer to the planning tools of well-known inverter manufacturers or yield planning tools.

Get started and register now:

docuapp.k2-systems.com 

base.k2-systems.com 

General safety information

Please note that our general mounting instructions must be followed at all times and can be viewed online at k2-systems.com/en/technical-information

- The equipment may only be installed and operated by qualified and adequately trained installers.
- Prior to installation, ensure that the product complies with on-site static loading requirements. For roof-mounted systems, the roof load-bearing capacity must always be checked.
- National and local building regulations and environmental requirements must be adhered to.
- Compliance with health and safety regulations, accident prevention guidelines and applicable standards is required.
 - Protective equipment such as safety helmet, boots and gloves must be worn.
 - Roofing works must be in accordance with roofing regulations utilising fall protection safeguards when eaves height exceeds 3 m.
 - At least two people must be present for the duration of the installation work in order to provide rapid assistance in the event of an emergency.
- K2 mounting systems are continuously developed and improved and the installation process may thereby change at any time. Prior to installation consult our website at www.k2-systems.com/en/technical-information for up-to-date instructions. We can send you the latest version on request.
- The assembly instructions of the module manufacturer must be adhered to.
- Equipotential bonding/grounding/earthing between individual parts is to be performed according to country specific standards, as well as national laws and regulations.
- At least one copy of the assembly instructions should be available on site throughout the duration of the installation.
- Failure to adhere to our general safety and assembly instructions and not using all system components, K2 is not liable for any resulting defects or damages. We do not accept liability for any damage resulting in the use of competitor's parts. Warranty is excluded in such cases.
- German law shall apply excluding the UN Convention on CISG. Place of venue is Stuttgart. Our General Terms of Business apply.
- If all safety instructions are adhered to and the system is correctly installed, there is a product warranty entitlement of 12 years! We strongly recommend reviewing our terms of guarantee, which can be viewed at www.k2-systems.com/en/technical-information We will also send this information on request.
- Dismantling of the system is performed in reverse order to the assembly.
- K2 stainless steel components are available in different corrosion resistance classes. Each structure or component must be carefully checked for possible corrosion exposure.

The following guidelines apply

The SingleRail system with roof hooks can be used without further testing by K2 Systems in the following standard conditions. To calculate maximum distances between supports we recommend using our calculation tool K2 Base. The system is also suitable for higher requirements. However, if a value exceeds the standard conditions, please contact K2 Systems.



Roof requirements

- The sufficient holding force of the roof covering at the support or substructure must be ensured on site.
- Roof pitch of 5 - 75°
- Sufficient load reserves to support the PV system.



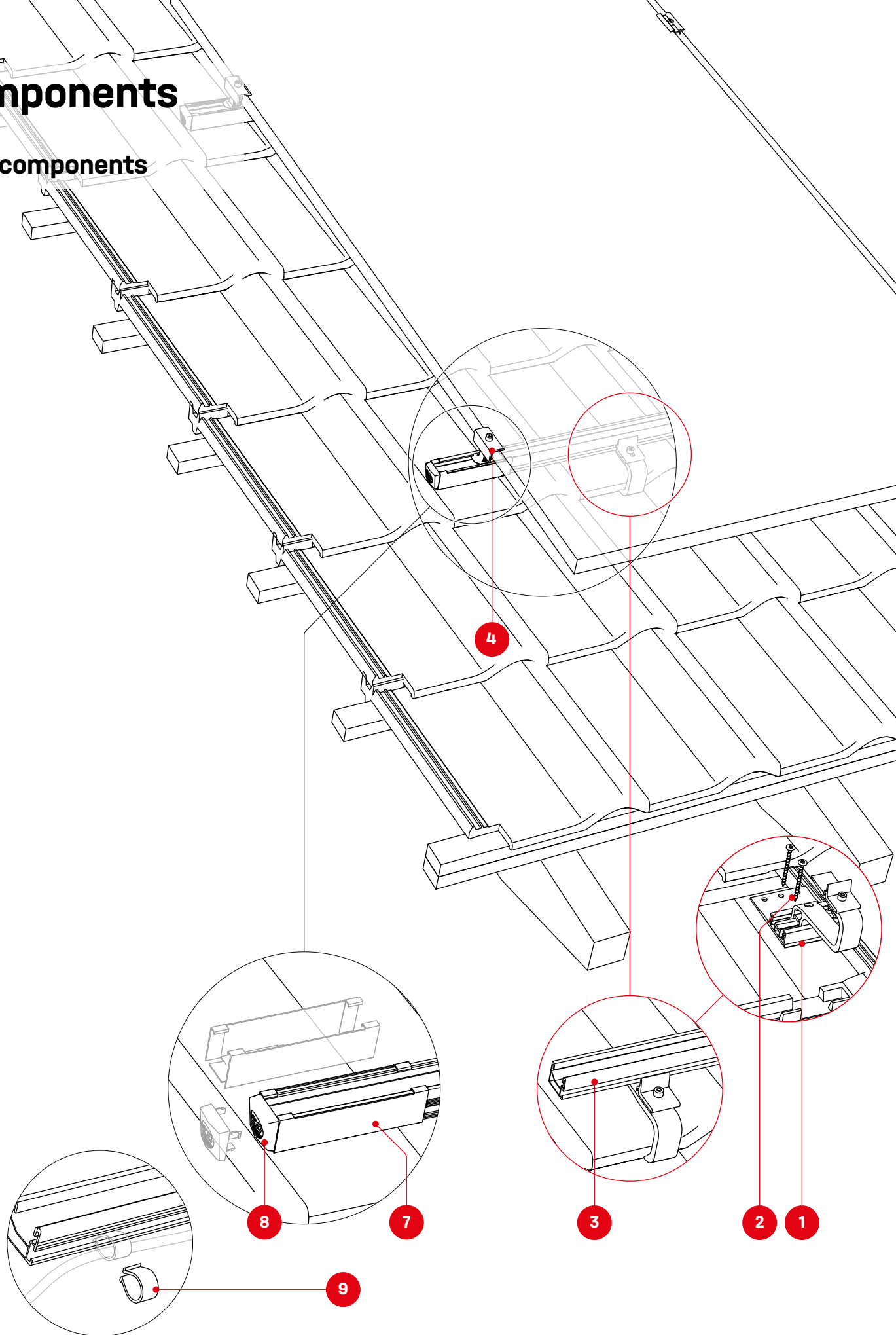
Important mounting instructions

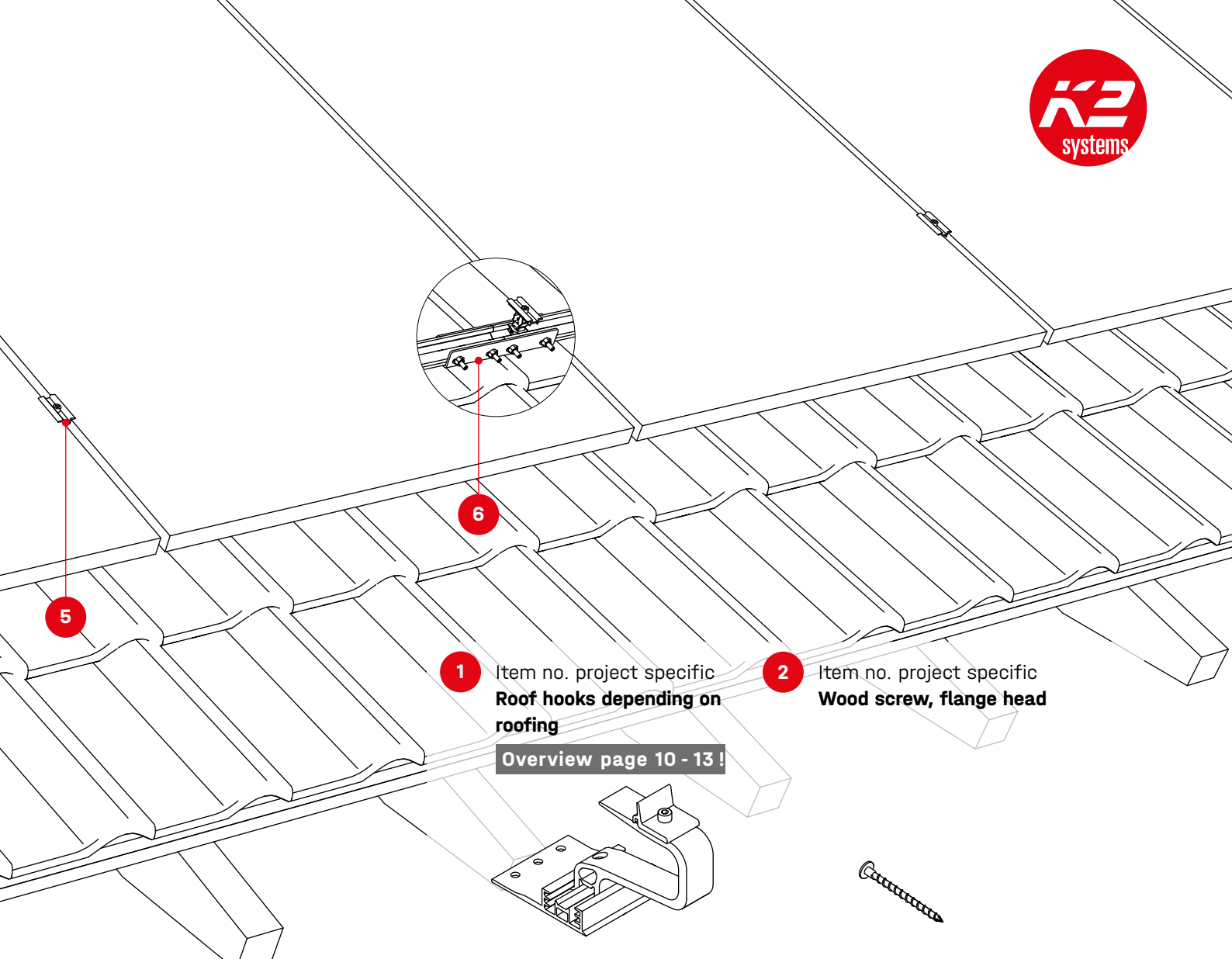
- On-site general standards and regulations for lightning protection must be observed and consultation with a specialist to create a lightning protection concept is recommended (use lightning protection clamp if necessary).
- Please refer to our Handbook "Wood Screw Fixation of K2 Roof Hooks" for the installation of all roof hooks
k2-systems.com/en/handbook-roof-hooks
- We recommend a thermal separation after maximum of 17.6 m.
- A minimum mounting distance of 50 mm from the end of the rail / rail joint to the module frame.
- Tightening torque for all module clamps 16 Nm

- For manufacturer information regarding clamps see the manufacturing module data sheet.
- In order to avoid damage under high snow loads, replace the clay/concrete roof tile with metal roof plate or sheet metal replacement tile under the bracket of the roof hook (exception SingleHook 2).
- Do not step on roof hooks or rails, as these are not climbing assists.
- Sizing and positioning of the wood screws are subject to the relevant regulations.
- In the case of pressure-soft rooftop insulation, especially that made of mineral fibres, care must be taken to ensure a suitable spacer screw connection of the counter batten to the rafter.
- The following applies to all insulation materials: With counter-batten thicknesses greater than 40 mm, the counter-batten can also be fastened exclusively into the counter-batten if it is sufficiently shear- and pressure-resistant.

Components

Base components

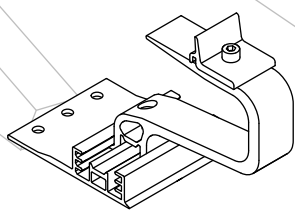




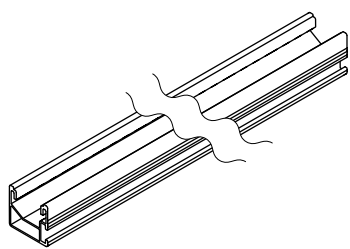
1 Item no. project specific
**Roof hooks depending on
roofing**

2 Item no. project specific
Wood screw, flange head

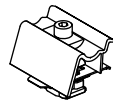
Overview page 10 - 13 !



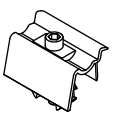
3 Item no. project specific
SingleRail 36, 50 or Light



4 Item no. project specific
K2 Clamp EC / OneEnd

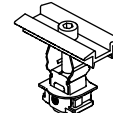


K2 Clamp EC 30 - 40, Hybrid
Silver 2003451
Black 2003452

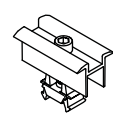


Middle Clamp OneEnd 30-42
Silver 2002514
Black 2002589

5 Item no. project specific
K2 Clamp MC / OneMid

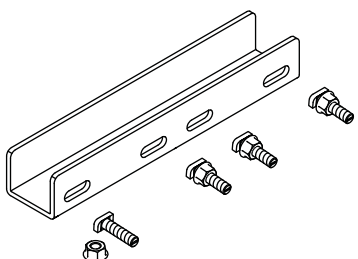


K2 Clamp MC 25 - 40
Silver 2004146
Black 2004148



Middle Clamp OneMid 30-42
Silver 2003071
Black 2003072

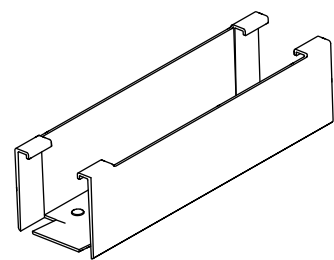
6 2001976 / 2002404
SingleRail 36/50 Connector Set



7 1004767
EndCap SingleRail 36



8 2003523
BlackCover SingleRail 36

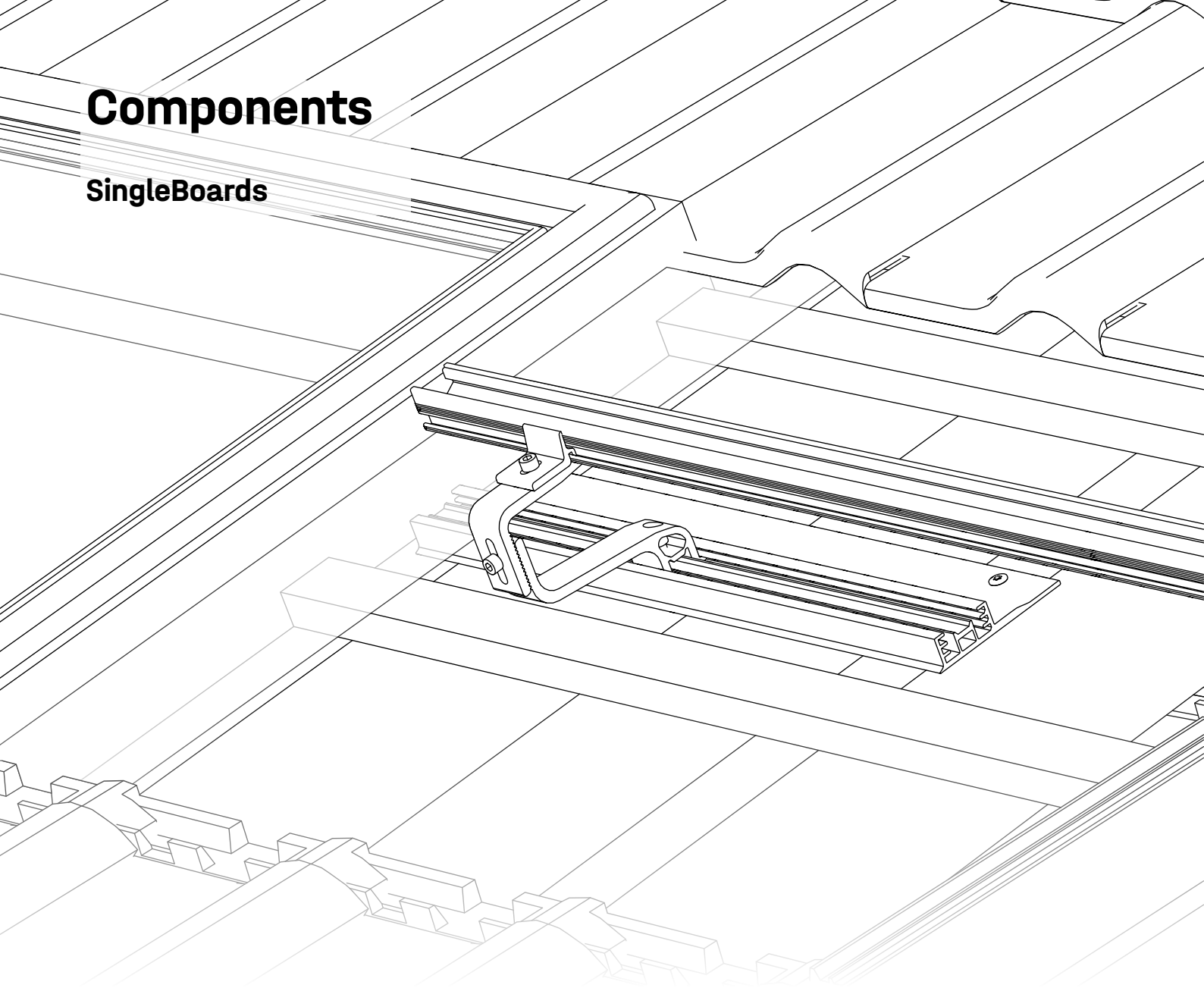


9 1005394
Omega Cable Clip

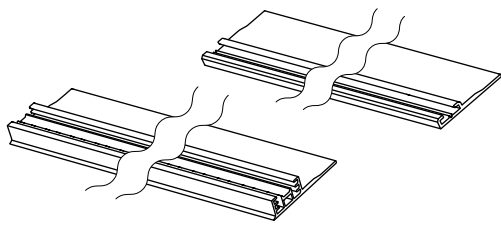


Components

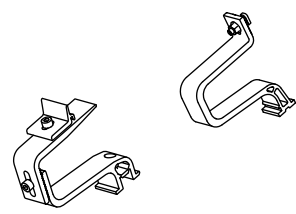
SingleBoards



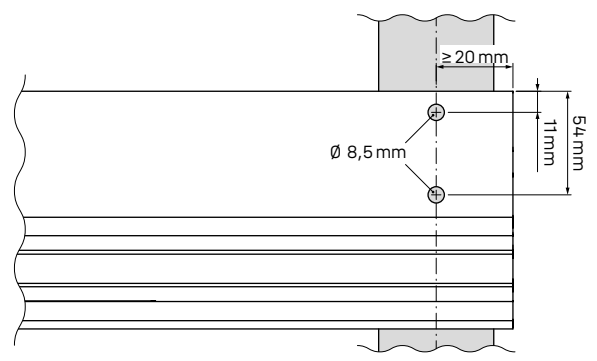
1 2001972 / 2002935
SingleBoard 3S/4S / SingleBoard



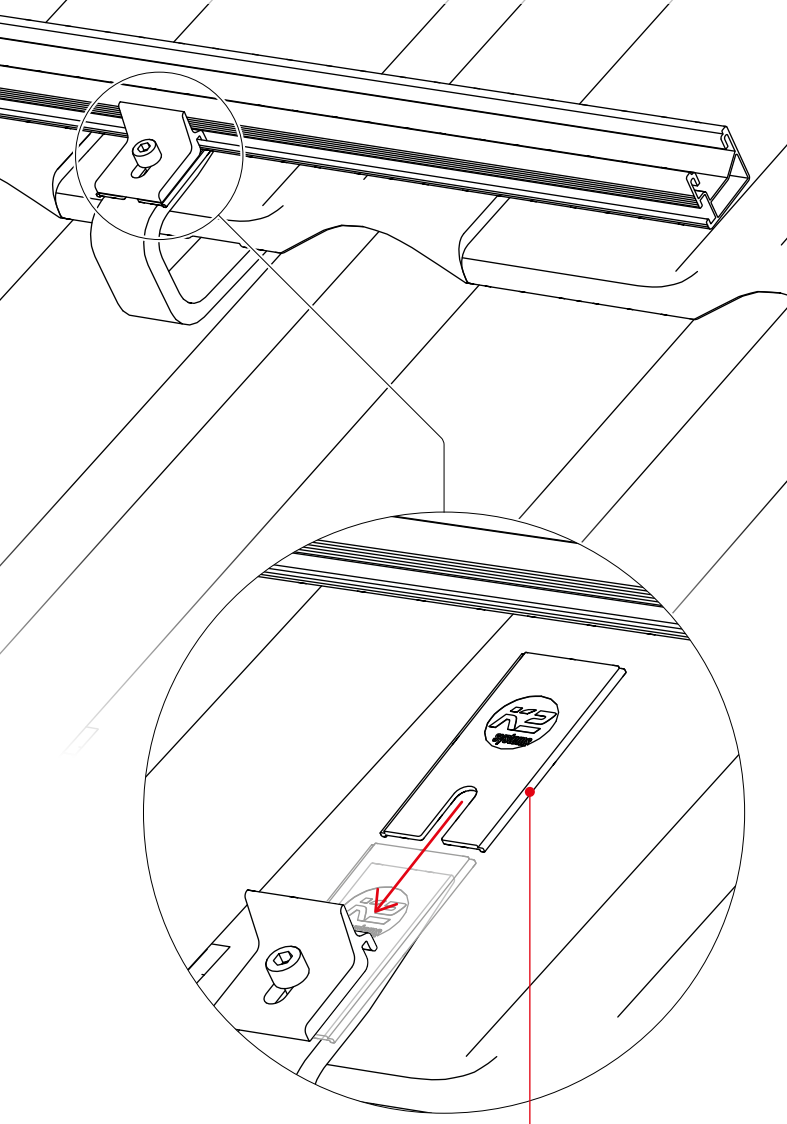
2 2002927 / 2003152
SingleBracket 4S / SingleBracket 1.1



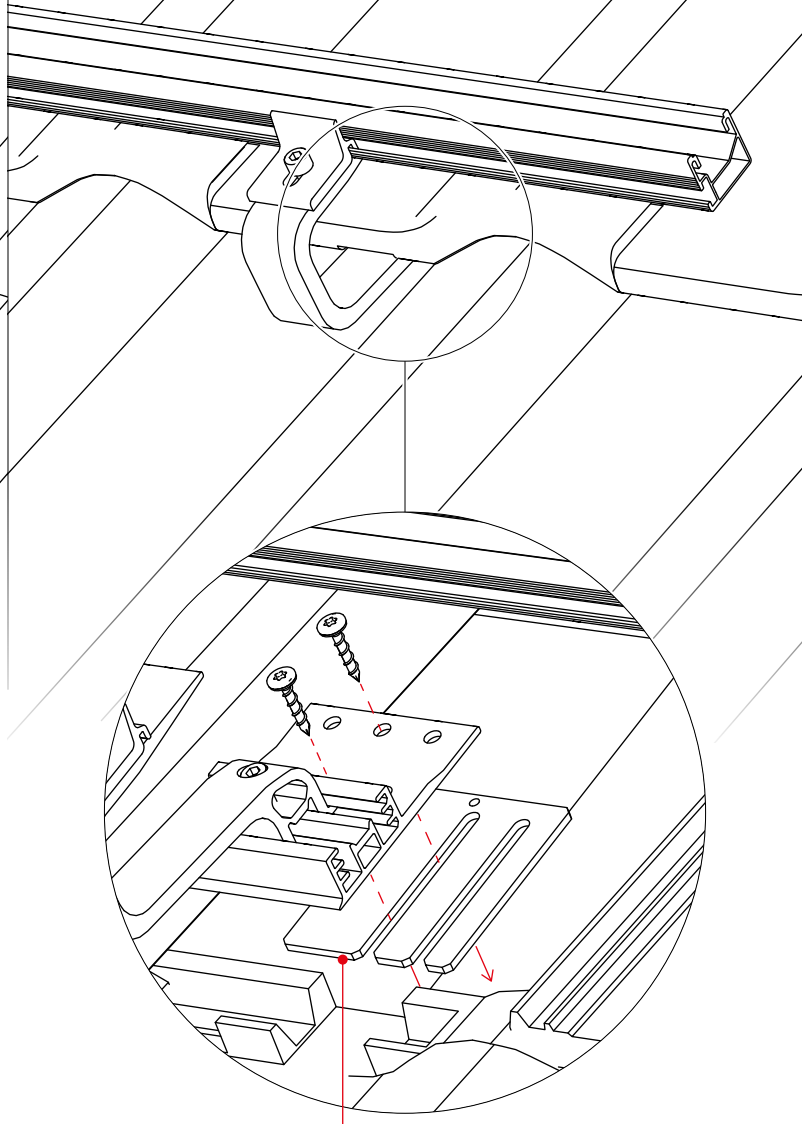
Drilling specifications for SingleBoards



Höhenausgleich und Unterlegen



A

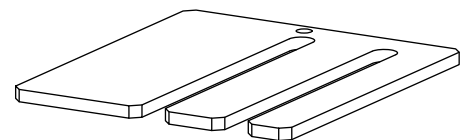


B

1002361
Distance Pad
2 mm



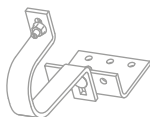
2002332
Roof Hook Height Compensator
4 mm



SingleHook
3S/4S/3S Long



SingleHook
1.1/Vario/Alpin

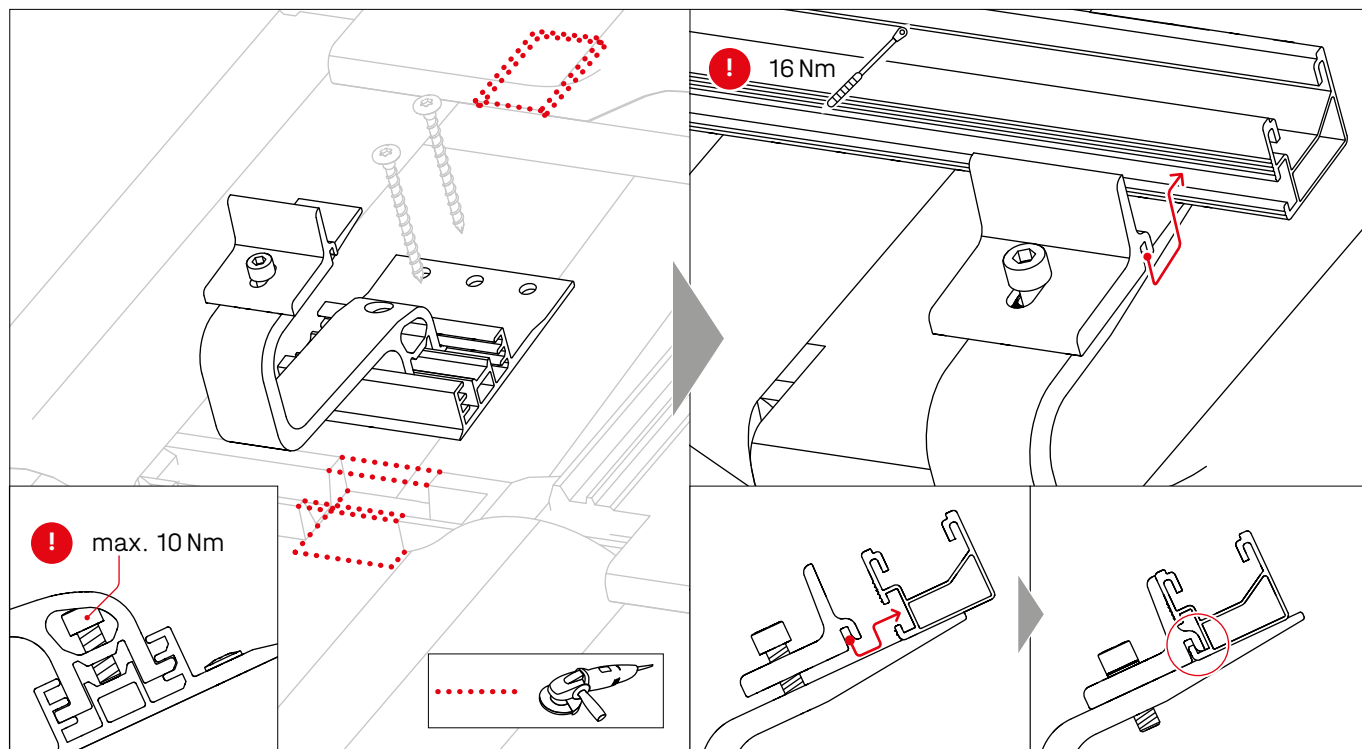


● Compatible

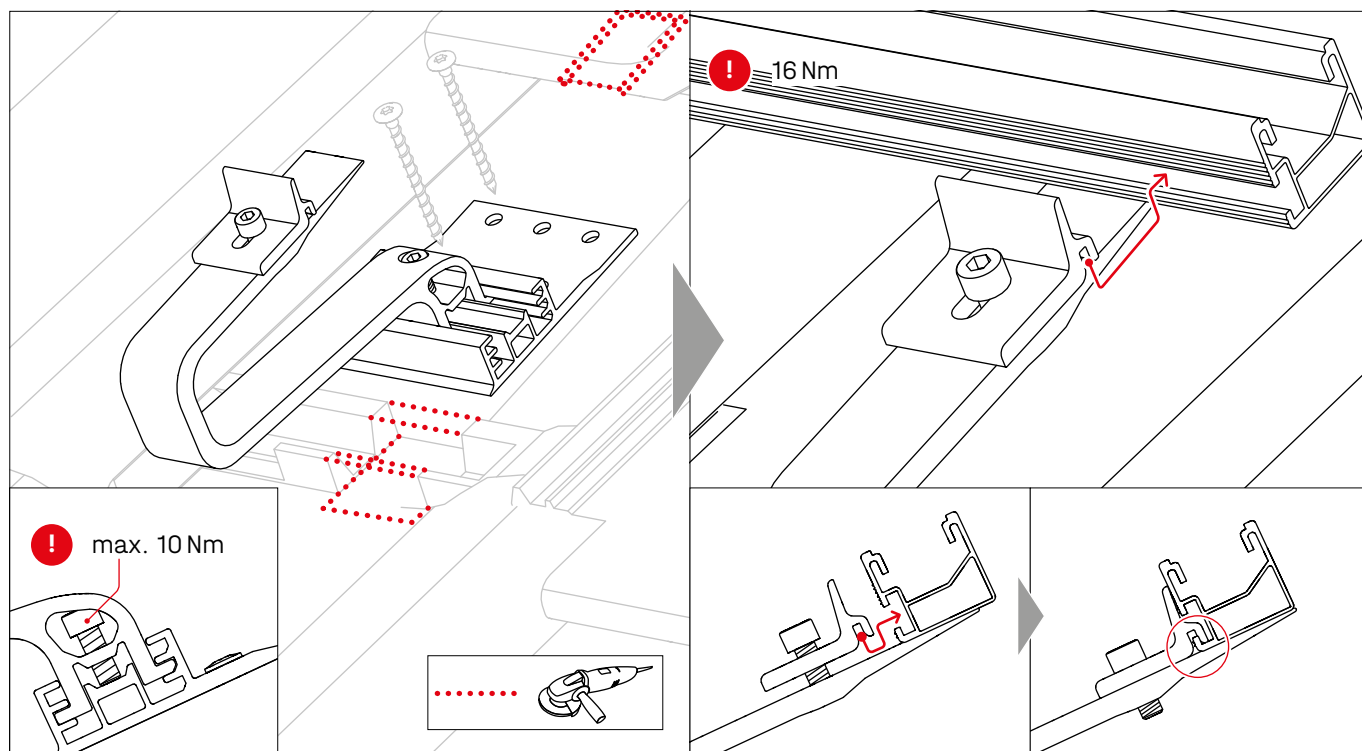
○ Not Compatible

Compatible roof hooks

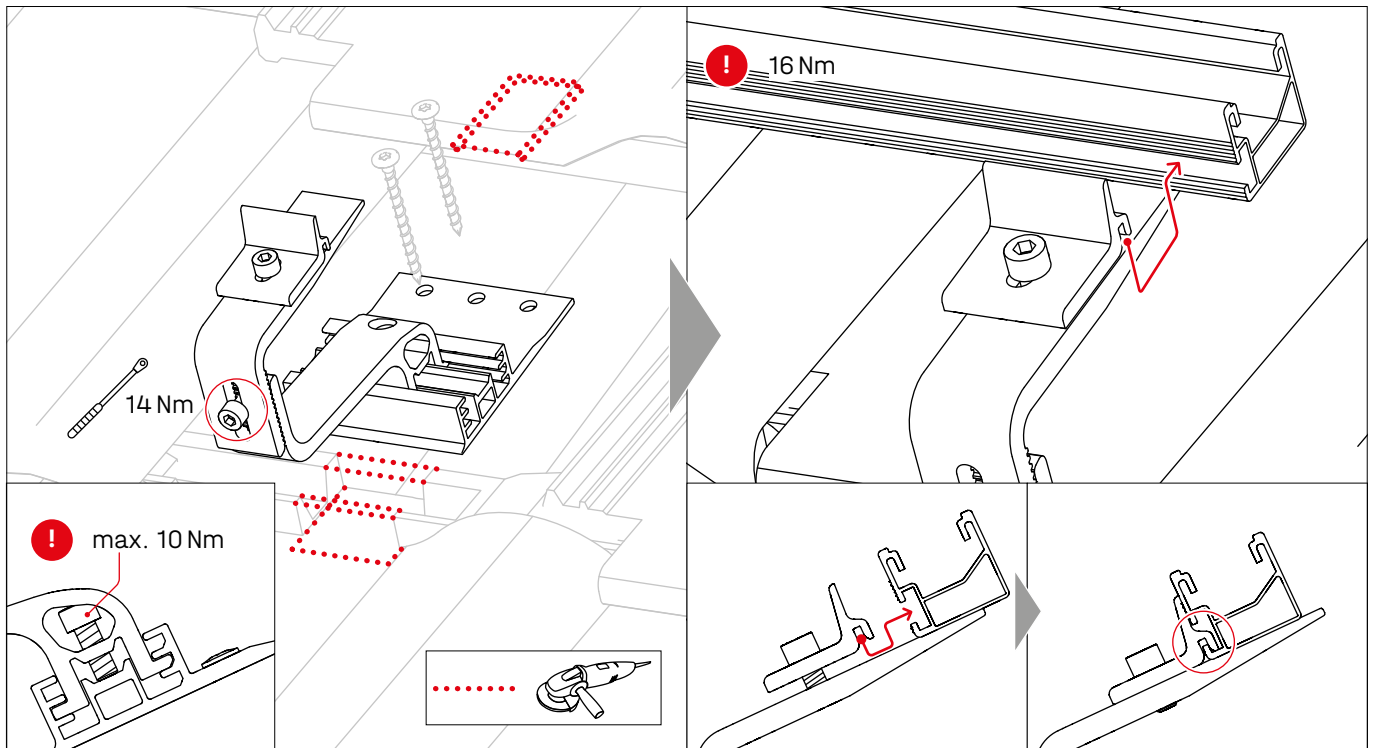
SingleHook 3S · 2003215



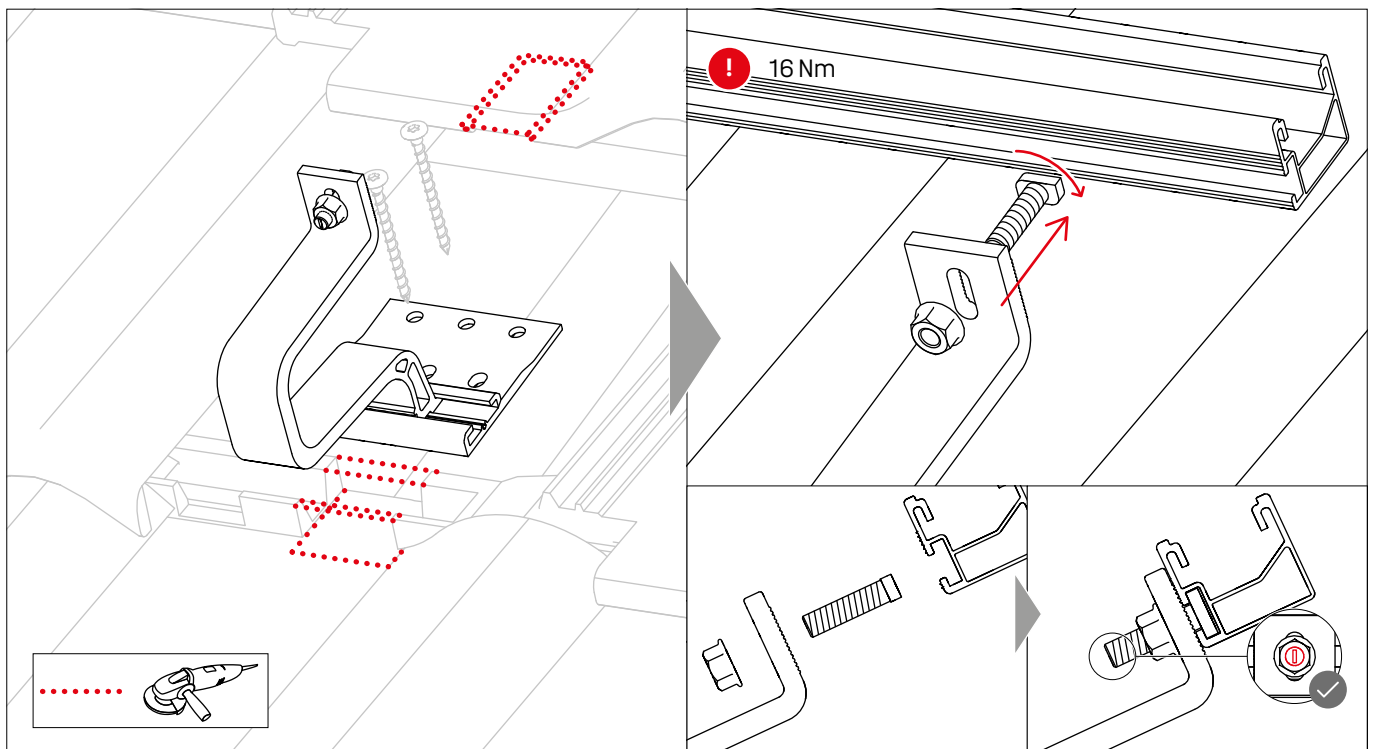
SingleHook 3S Long · 2004222



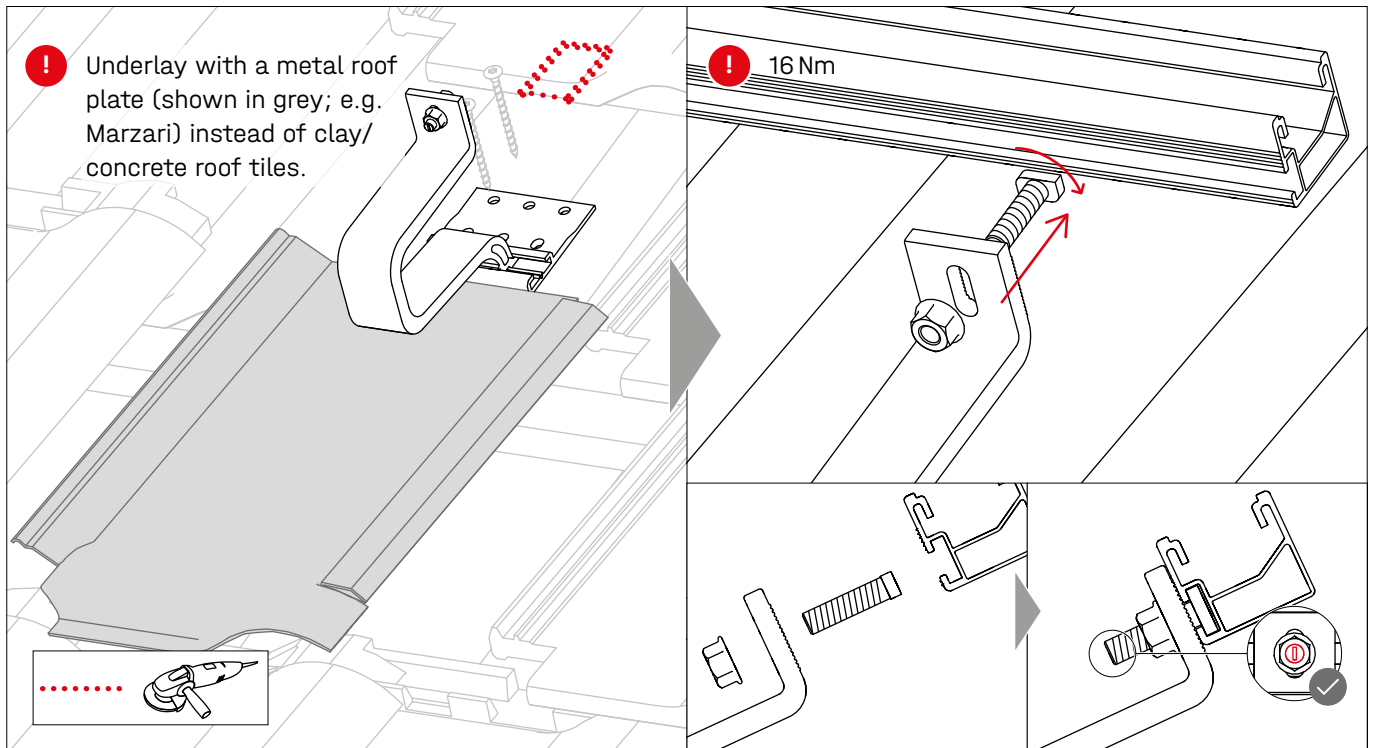
SingleHook 4S · 2003144



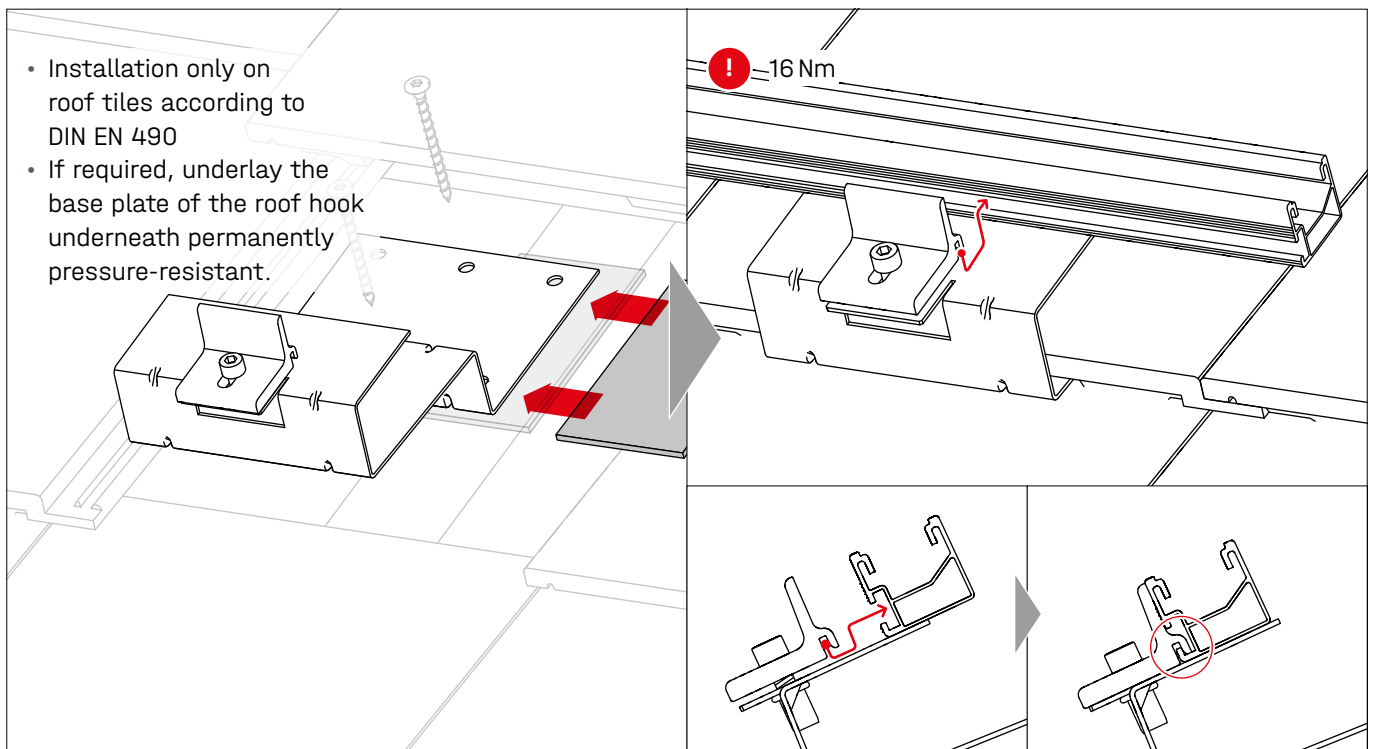
SingleHook 1.1 · 2001928



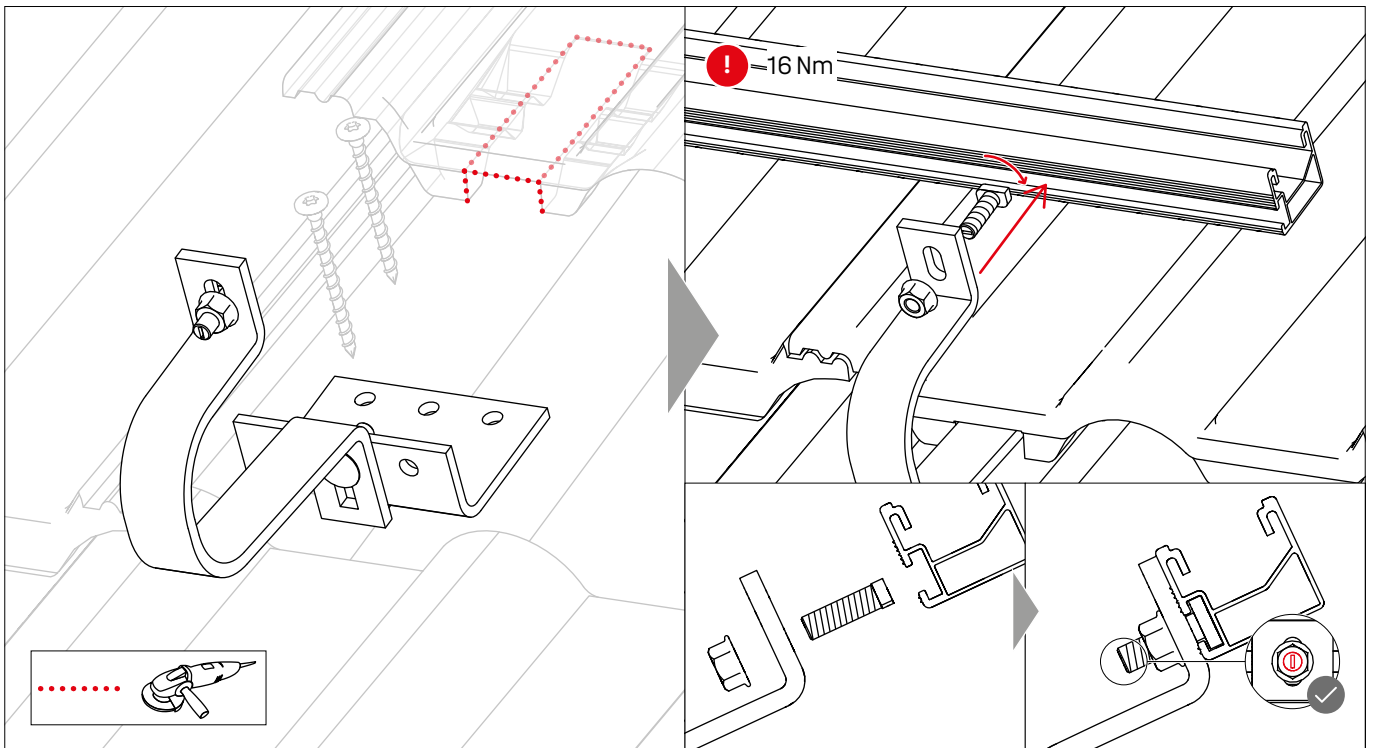
SingleHook Alpin · 2003155



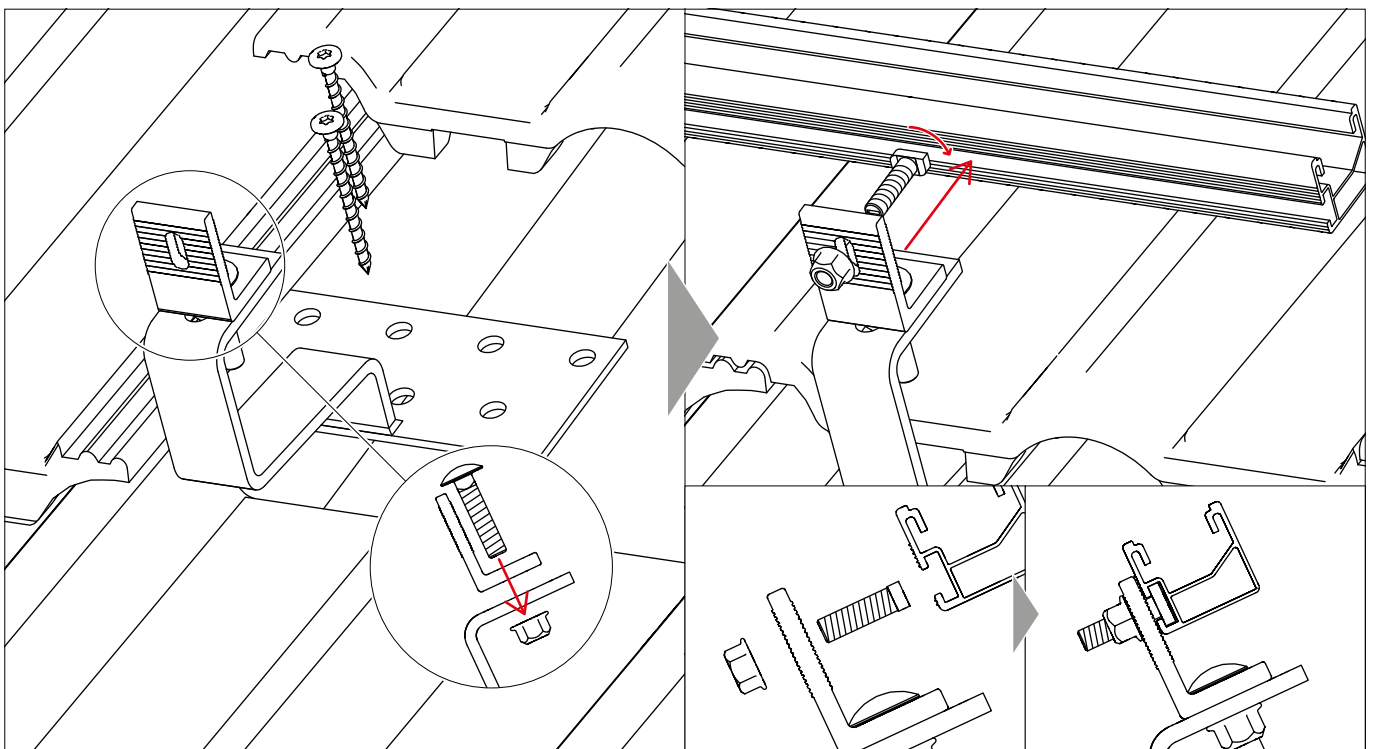
SingleHook 2 · 2003175



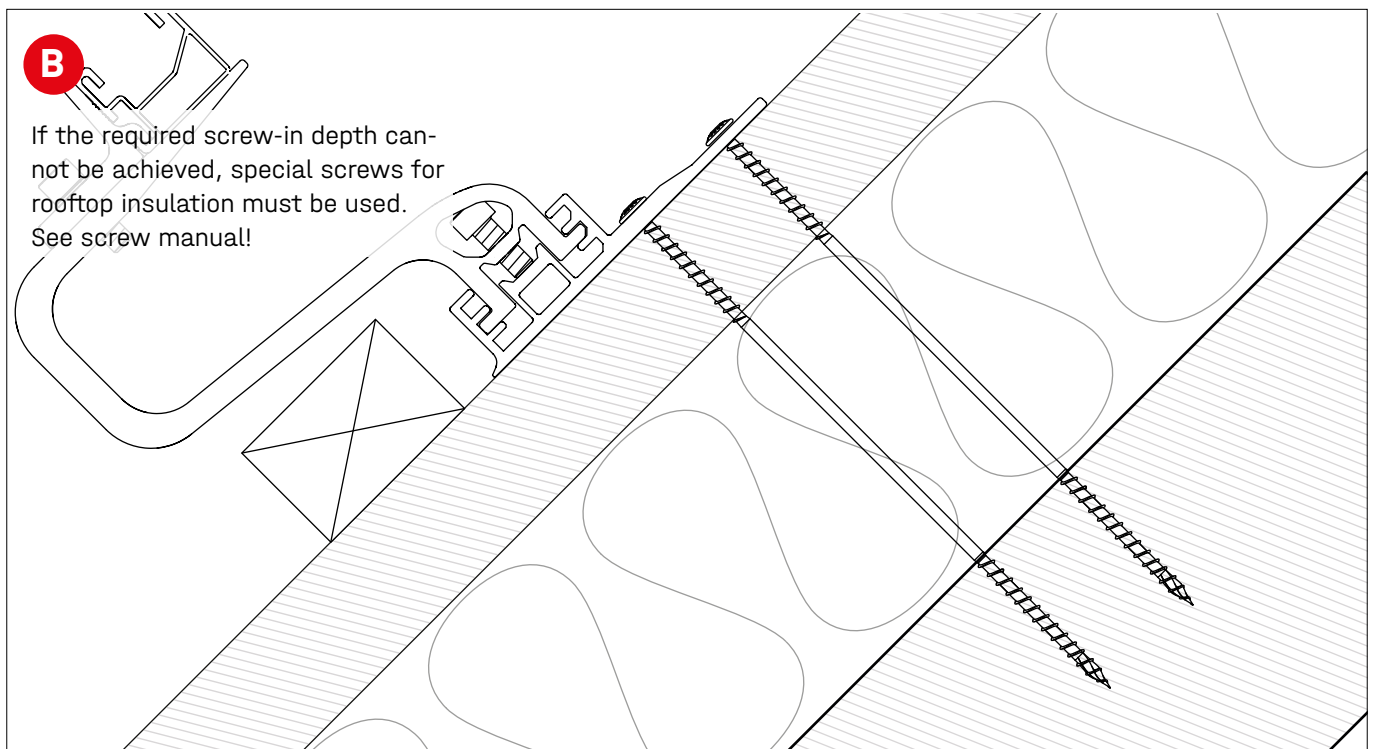
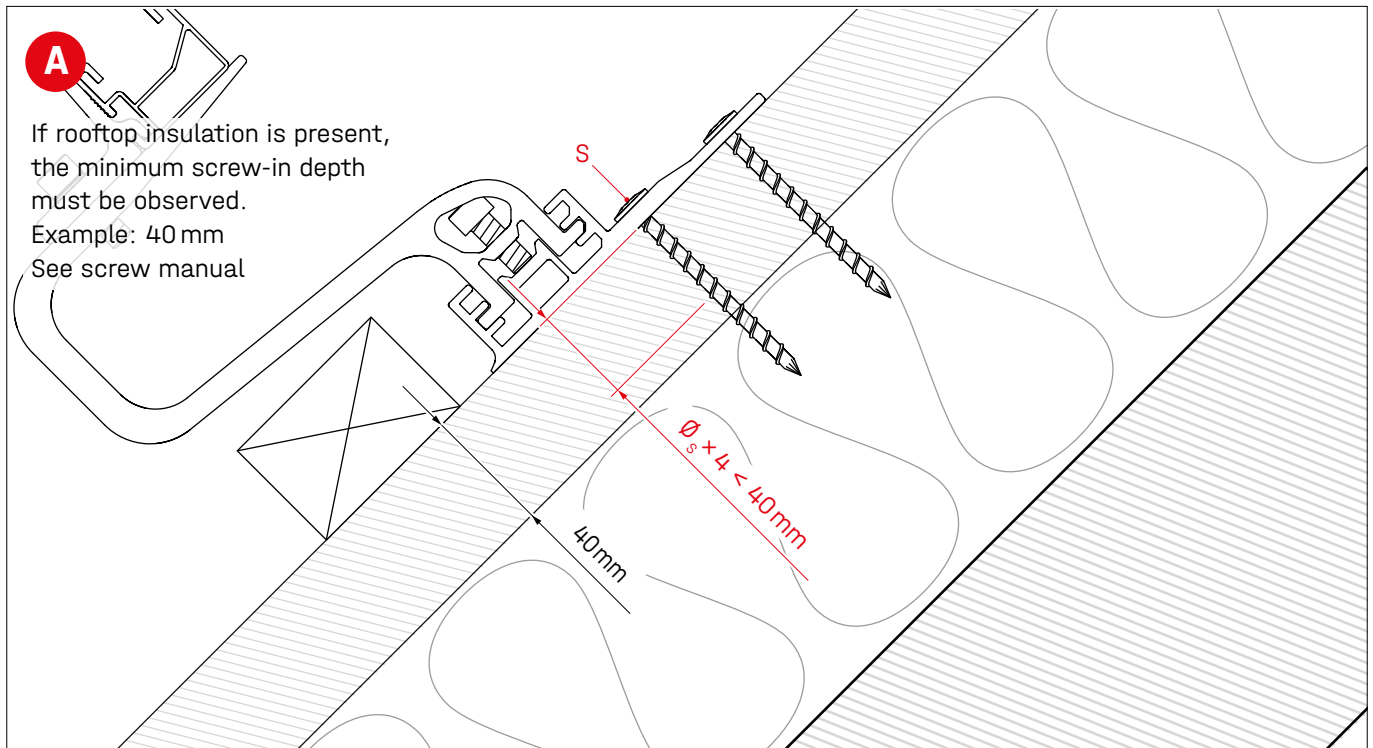
SingleHook Vario · 2002651



L-Adapter for further roof hooks · 2002683

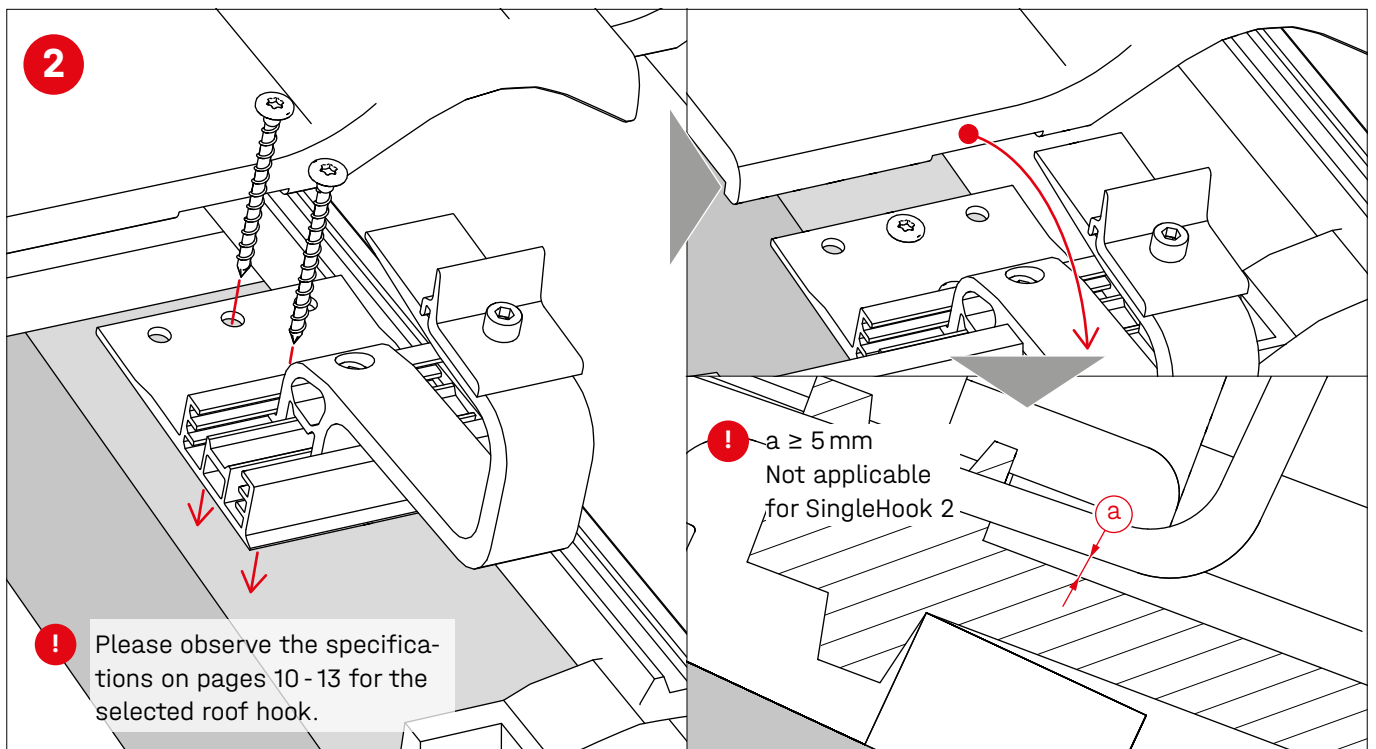
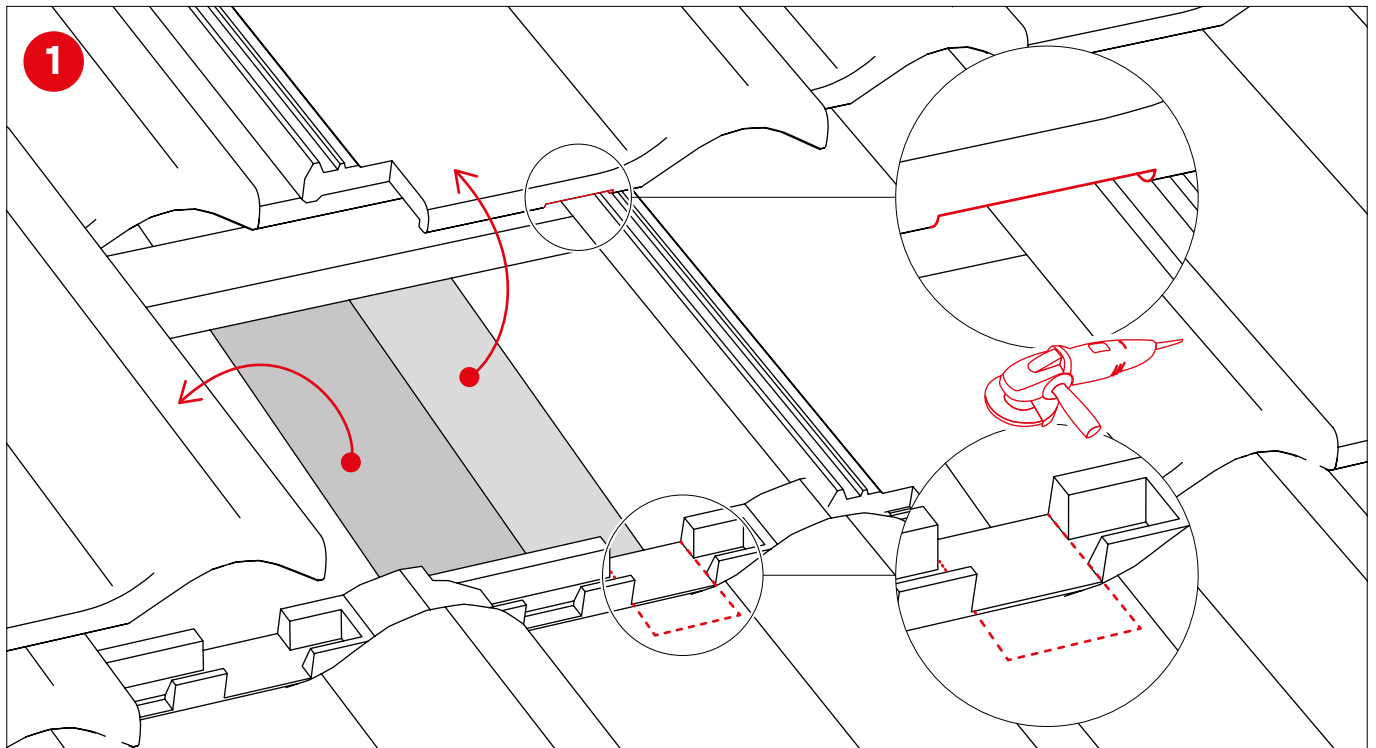


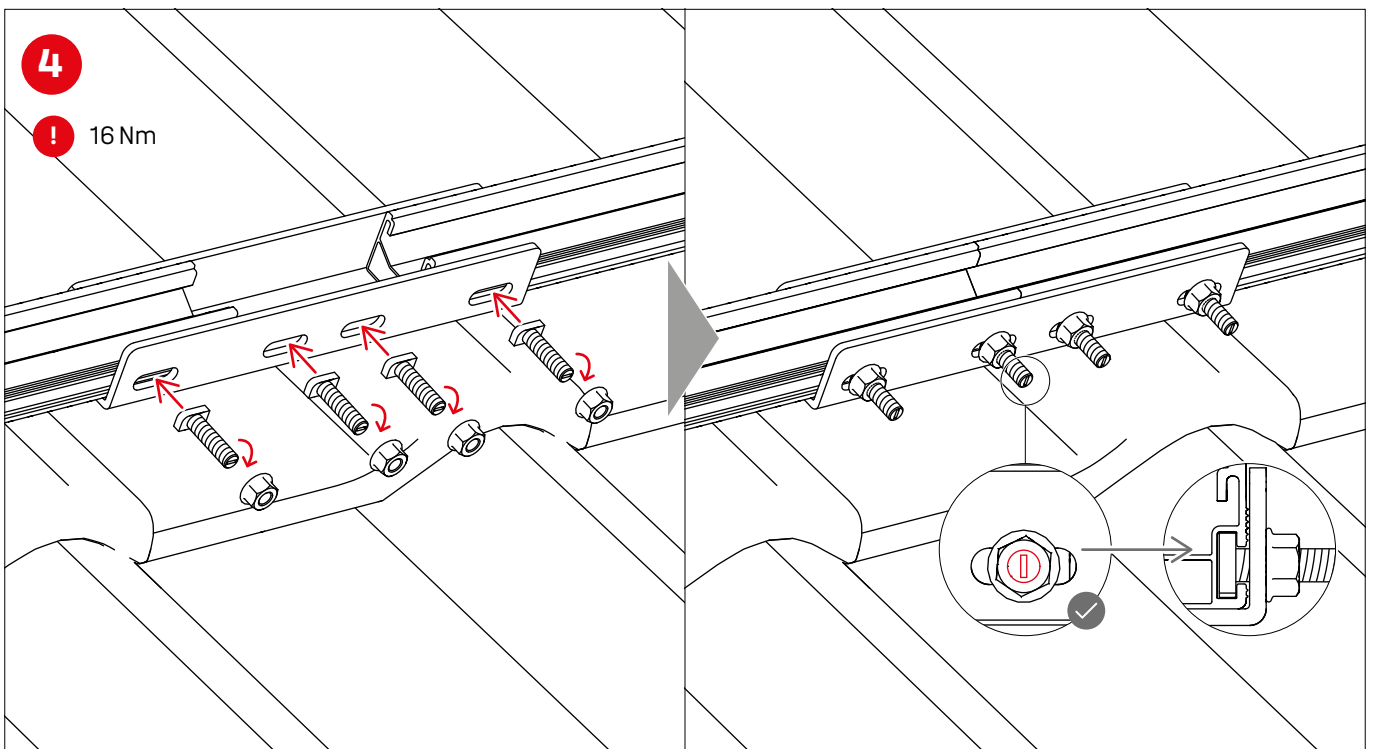
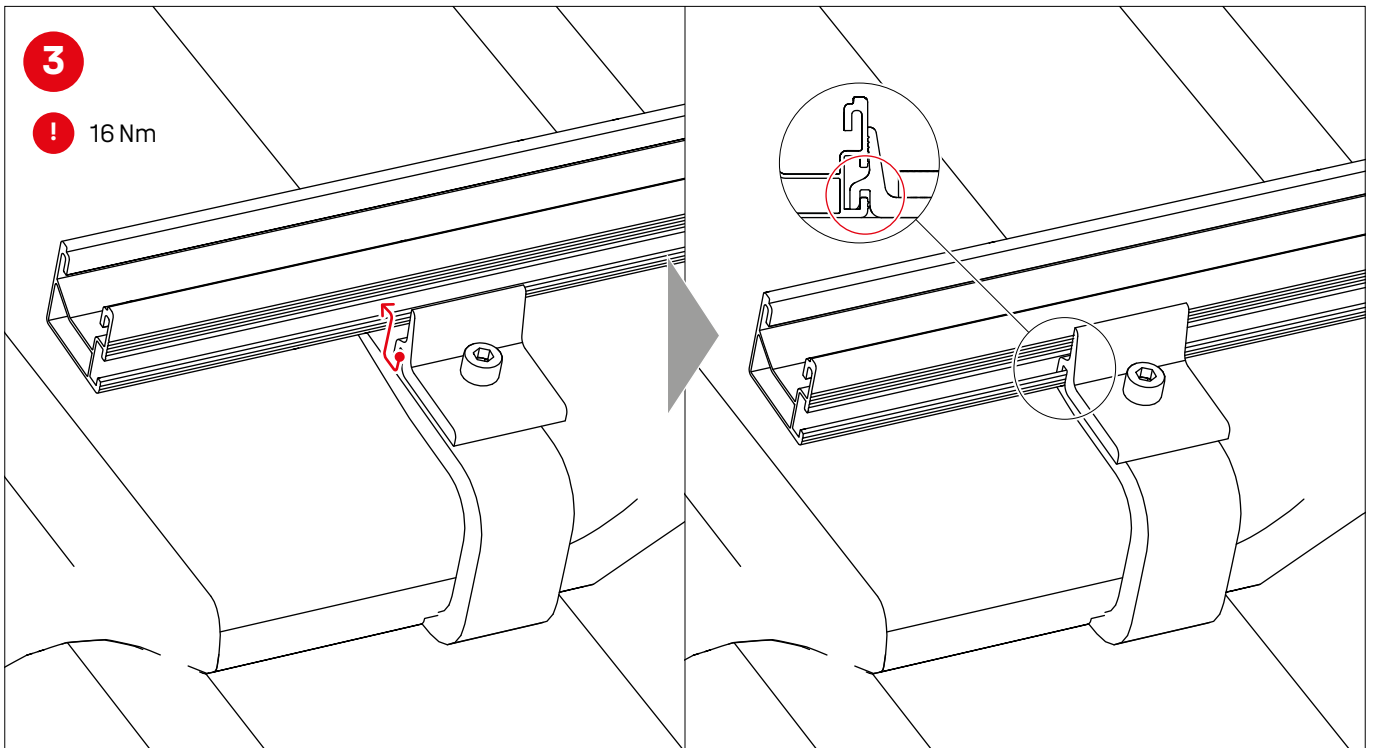
Notes on rooftop insulation

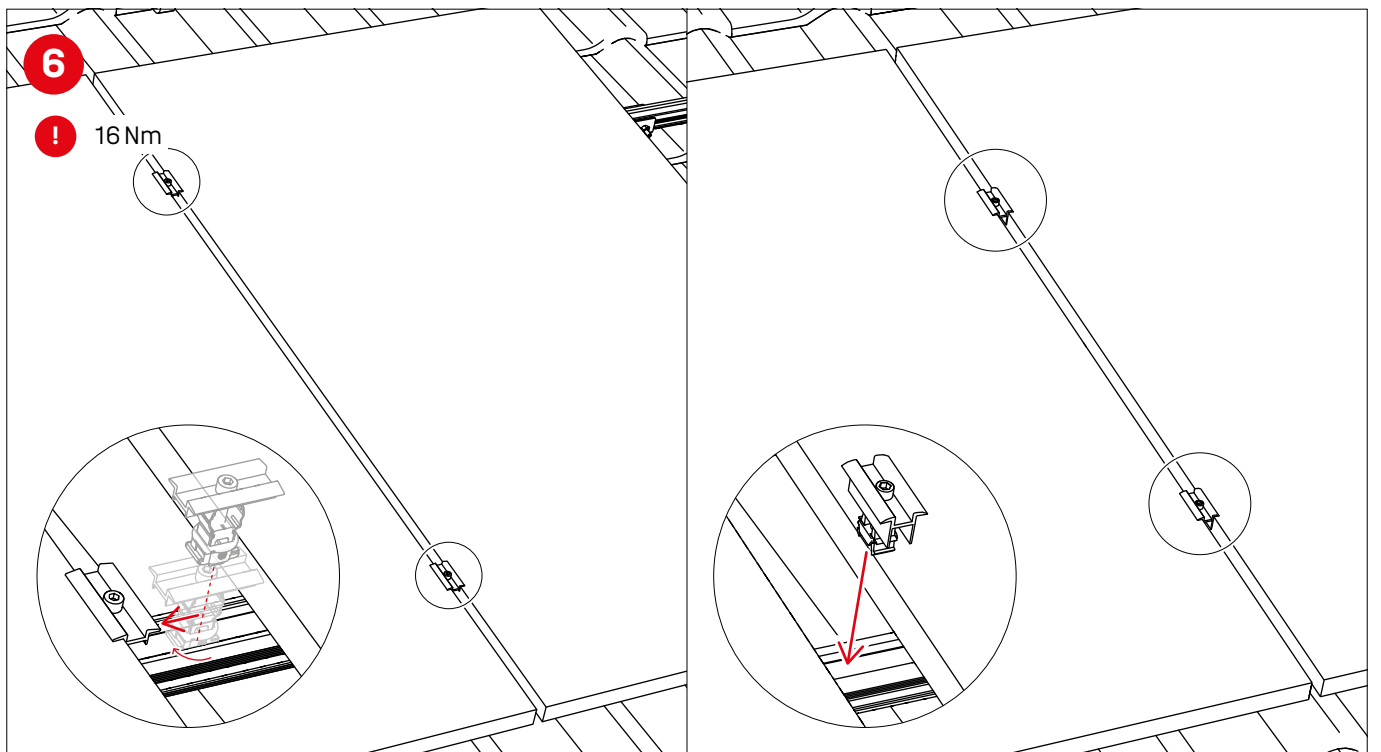
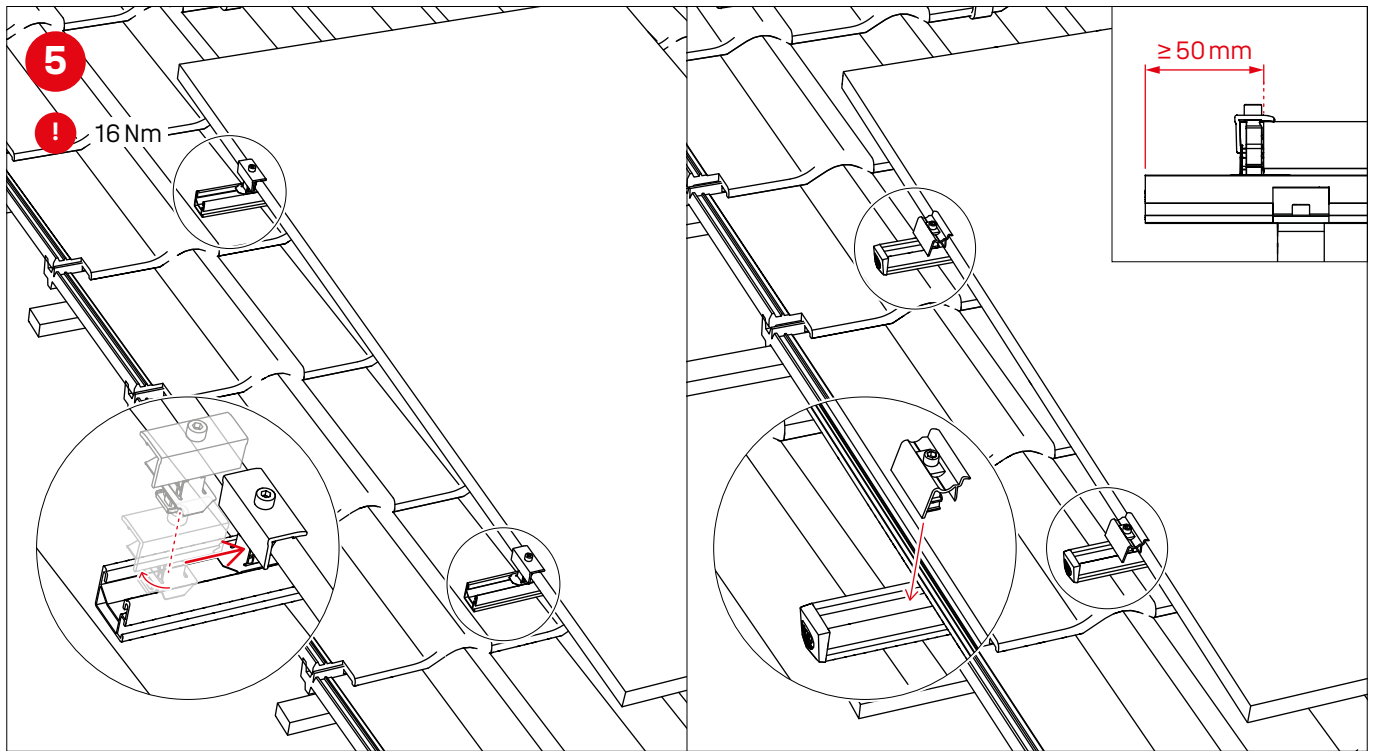


Assembly

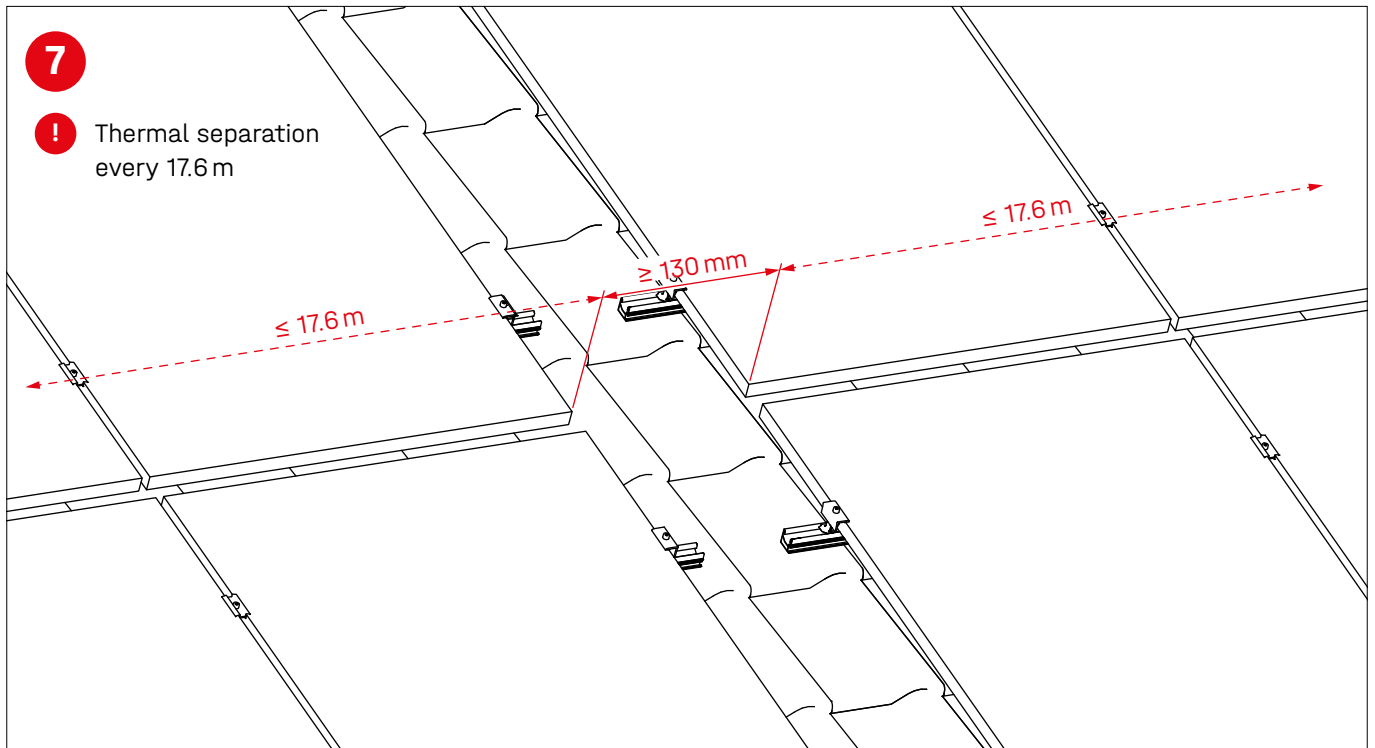
Portrait



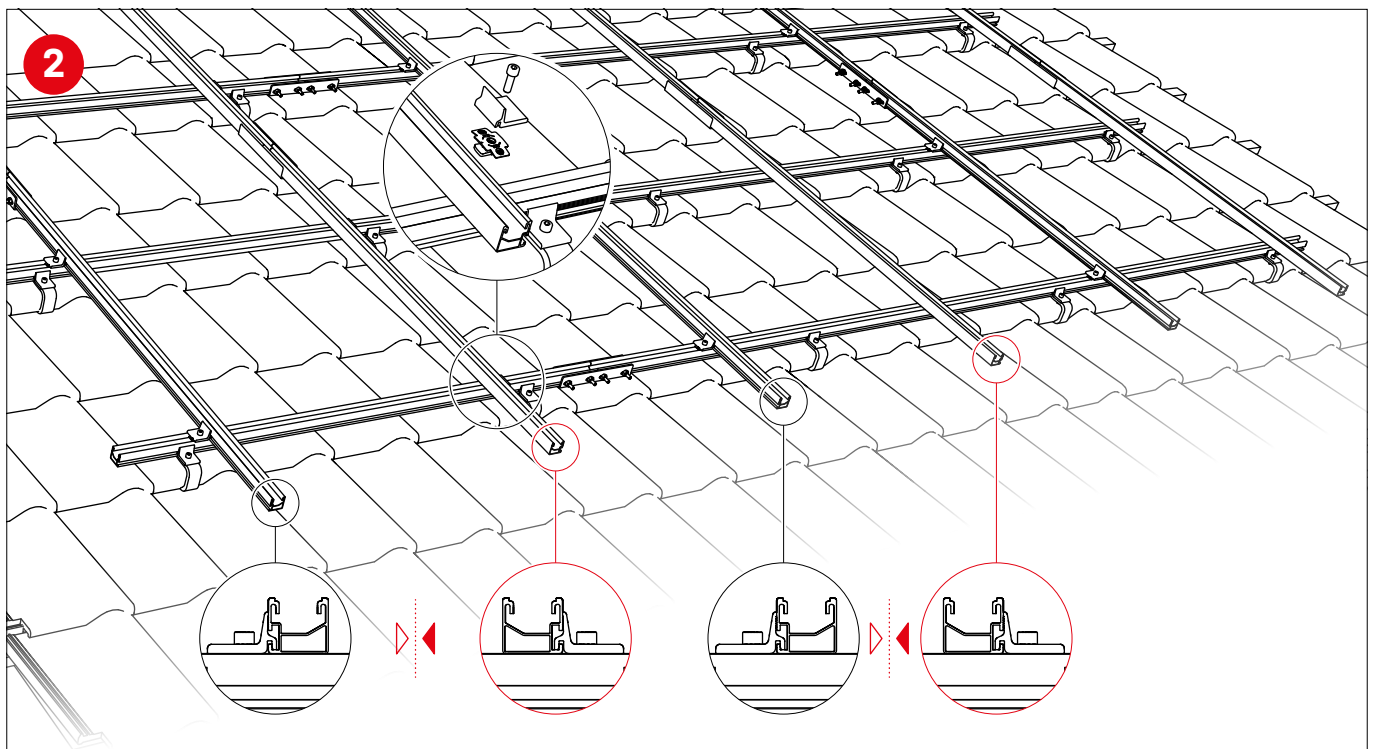
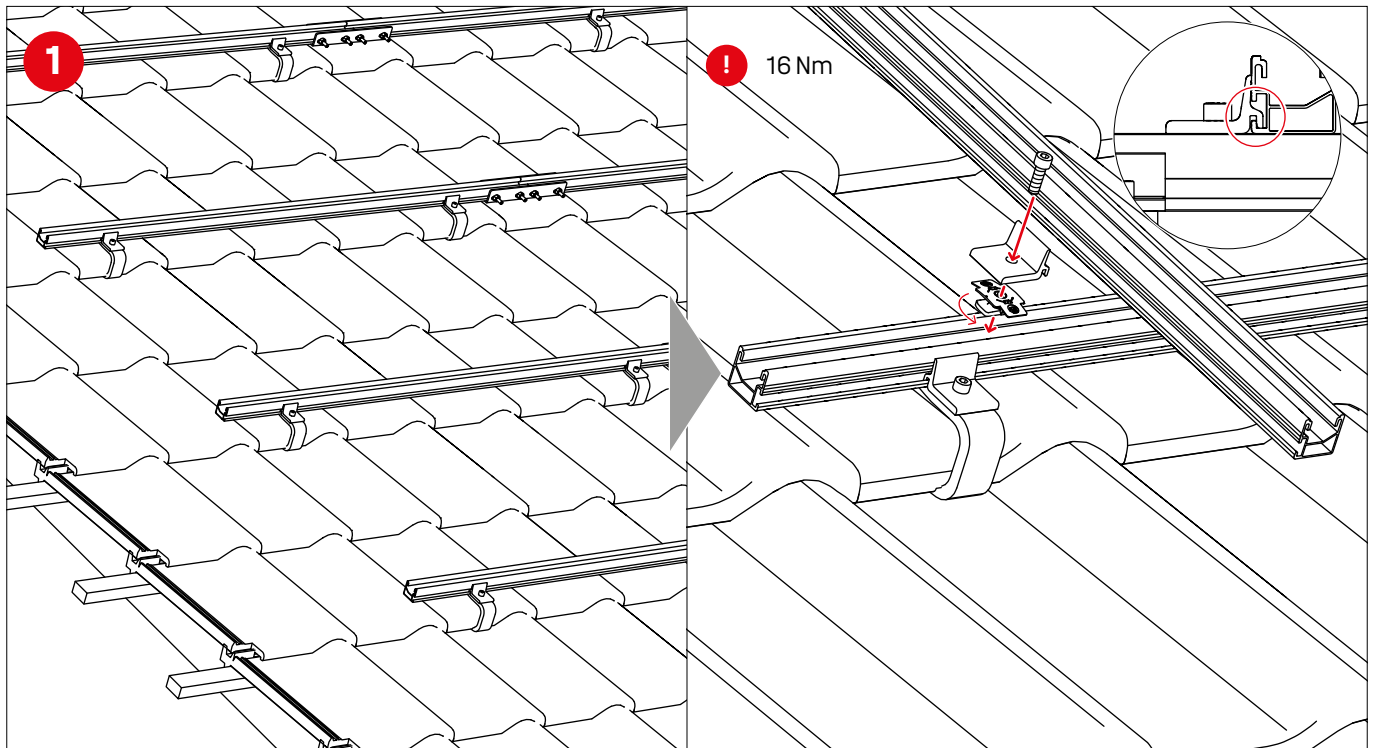


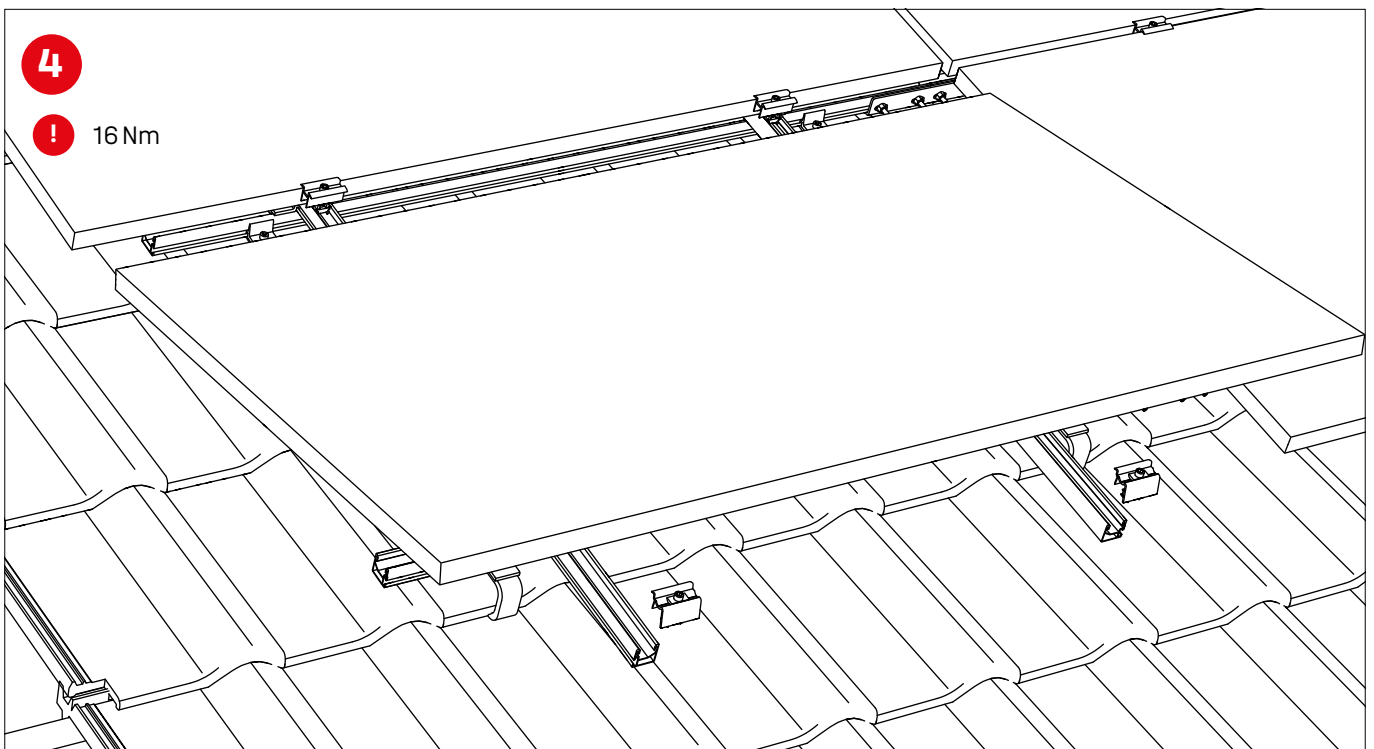
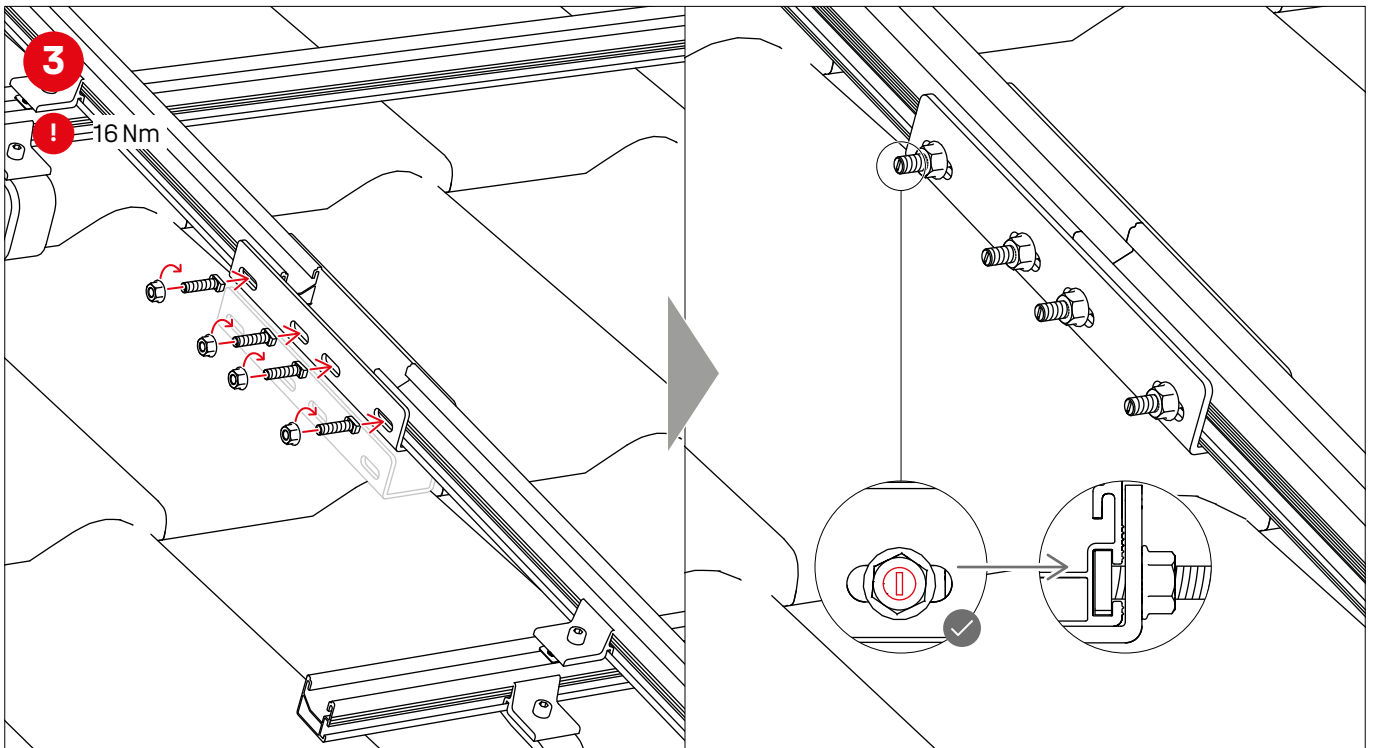


Thermal separations

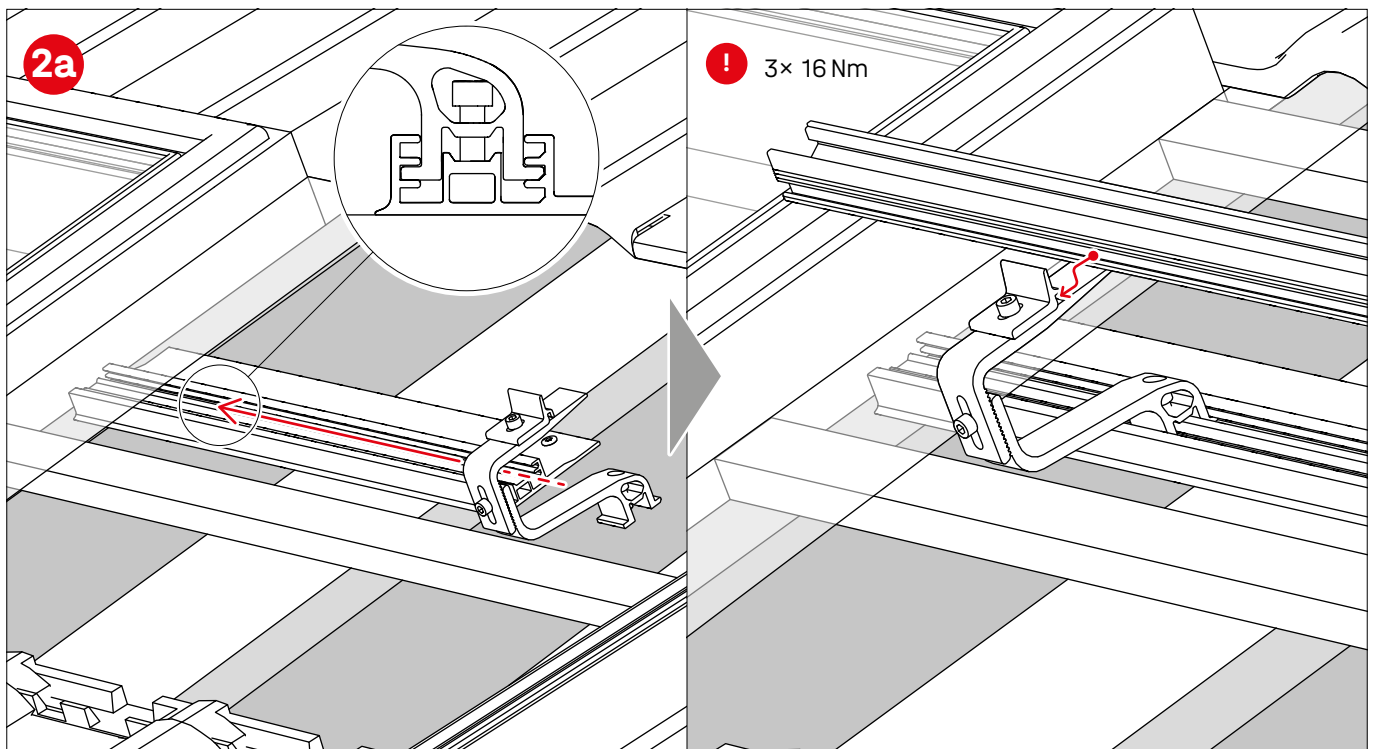
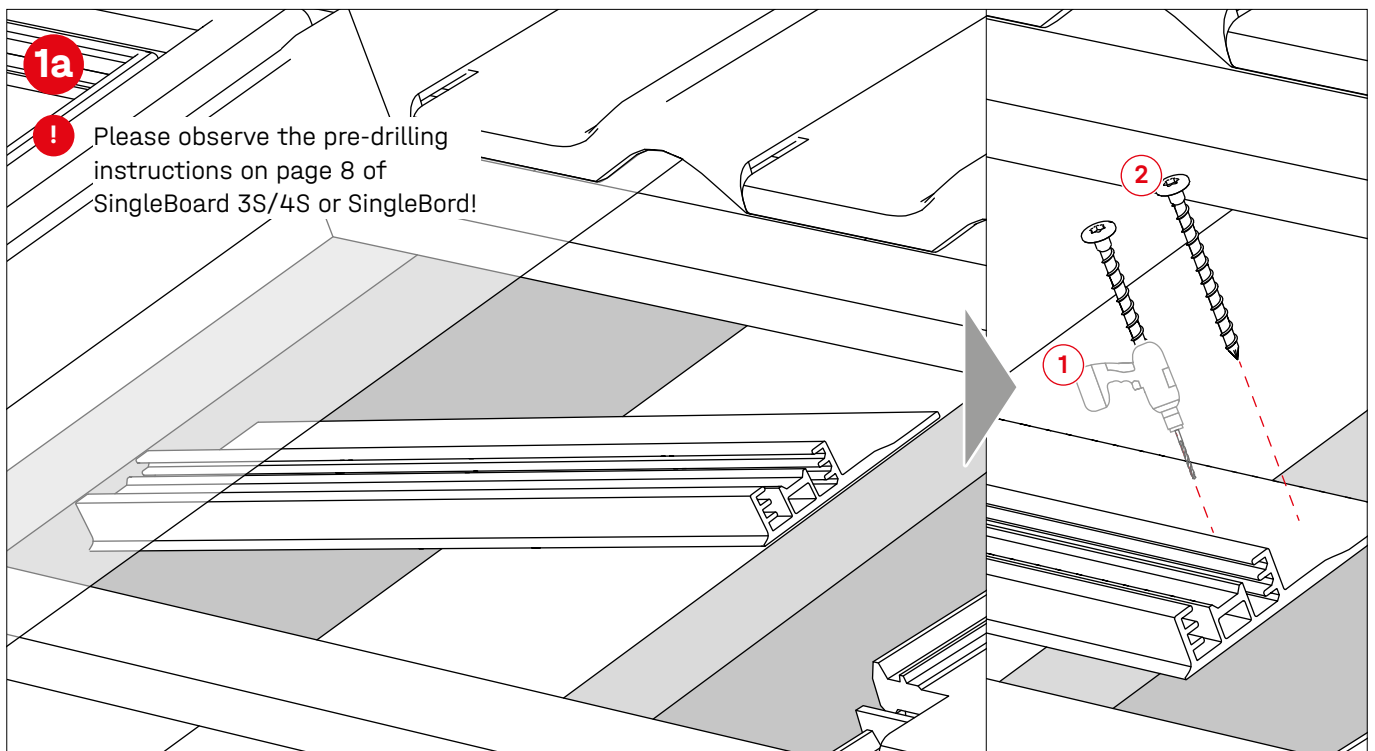


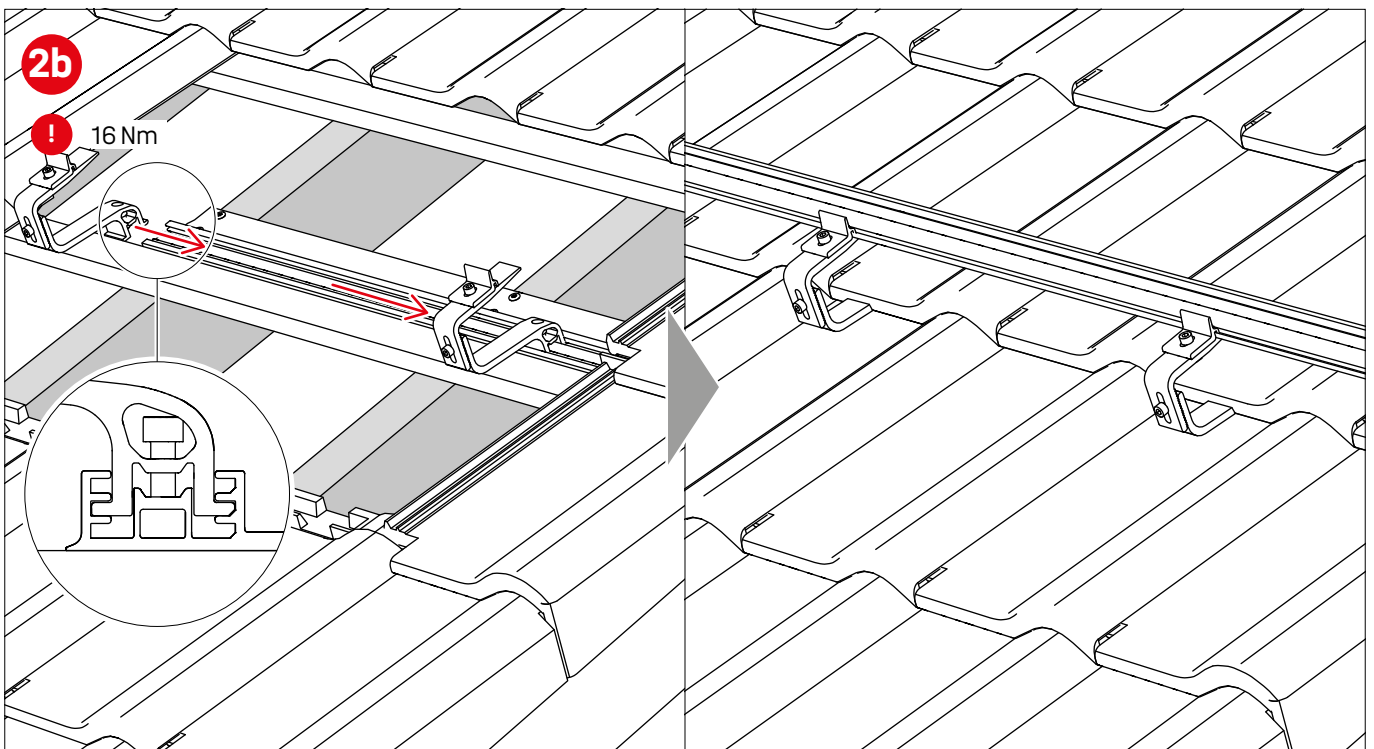
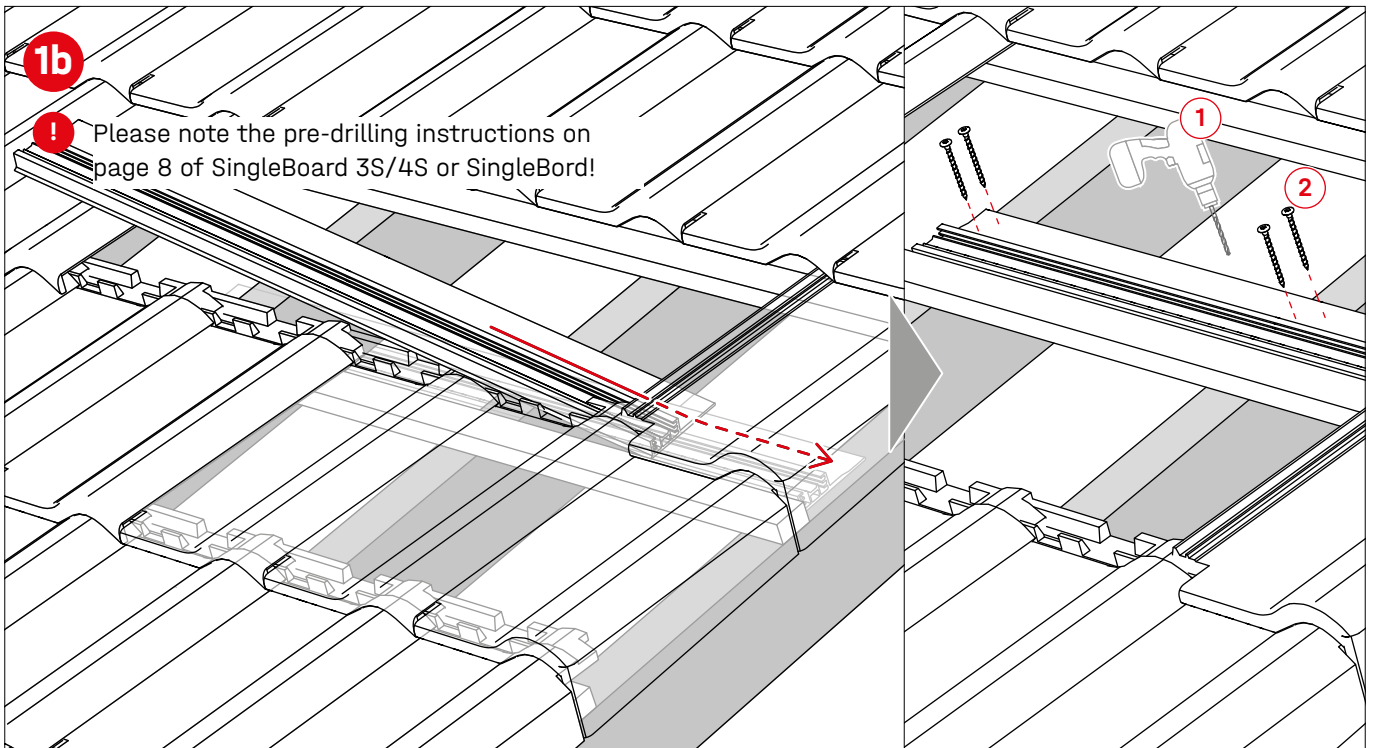
Landscape with two rail layers





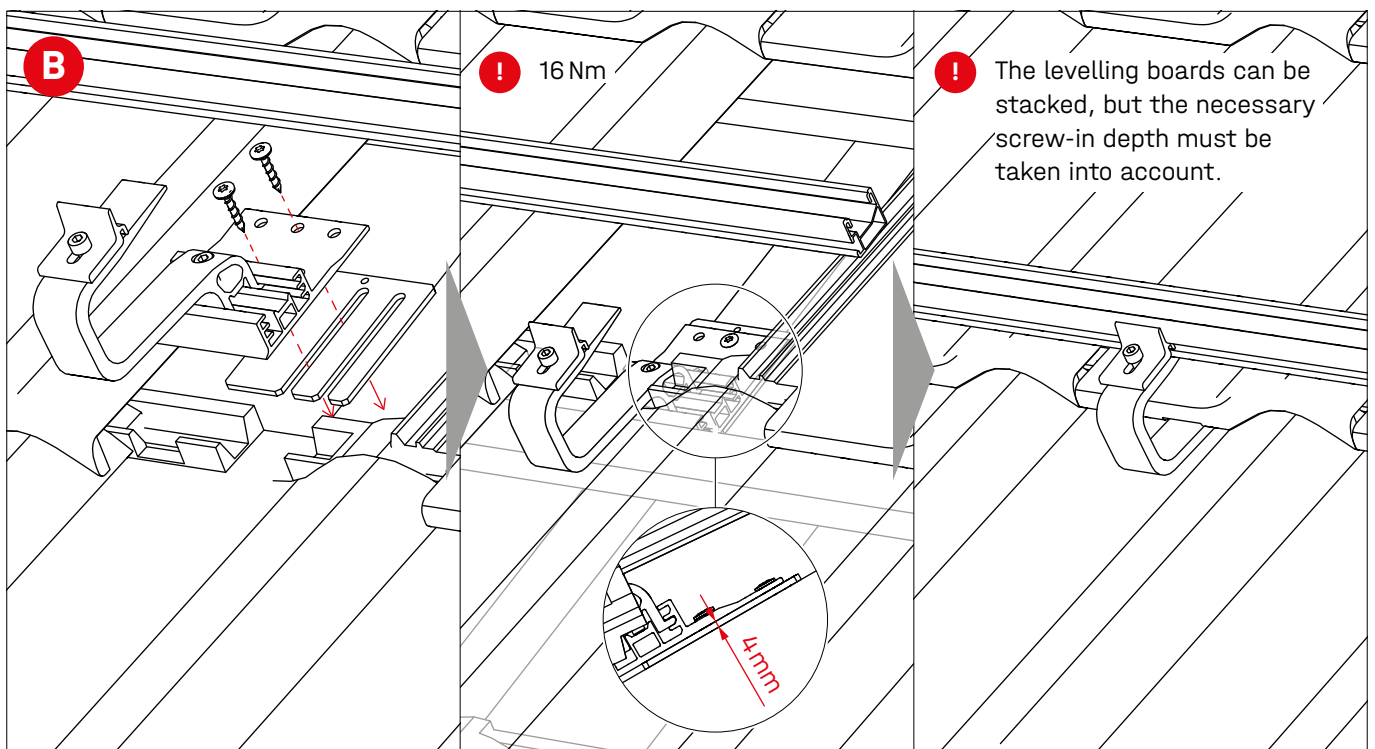
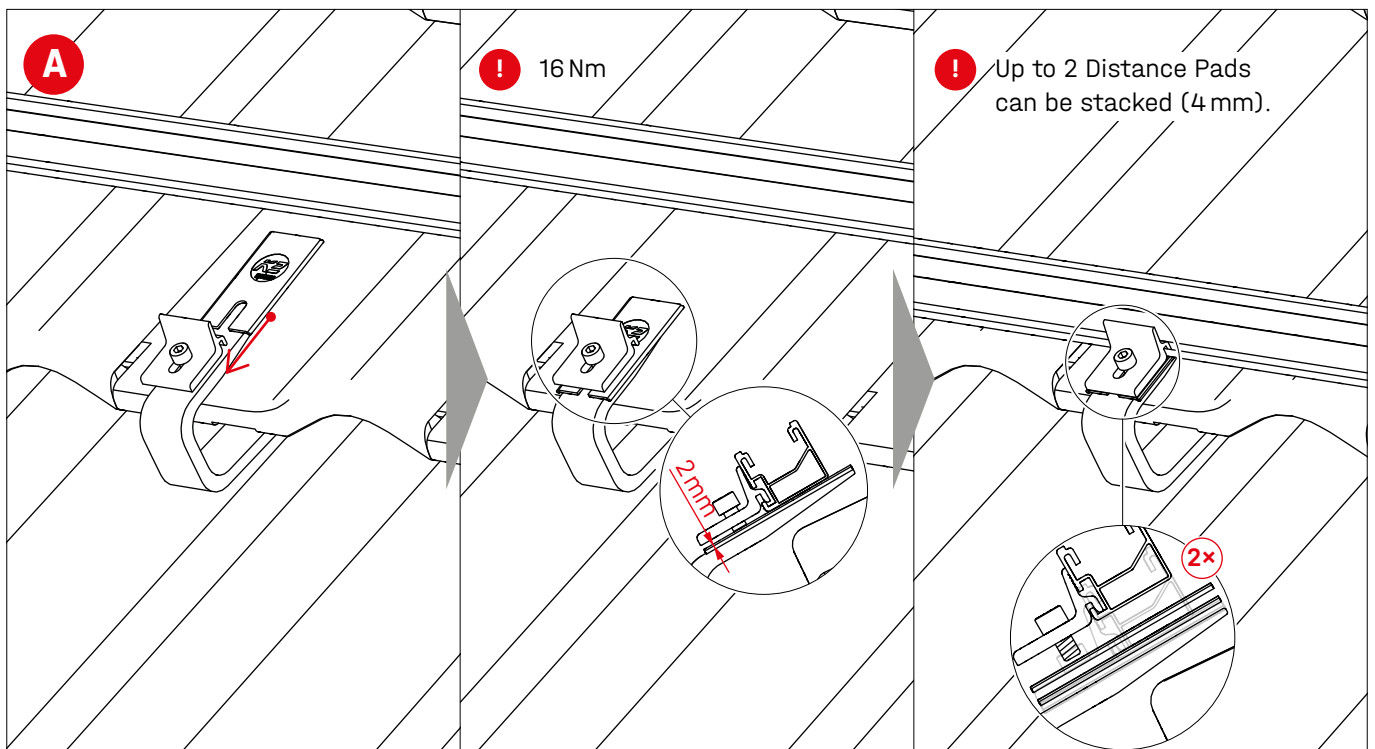
Obstructions / roof edge: Use of SingleBoards



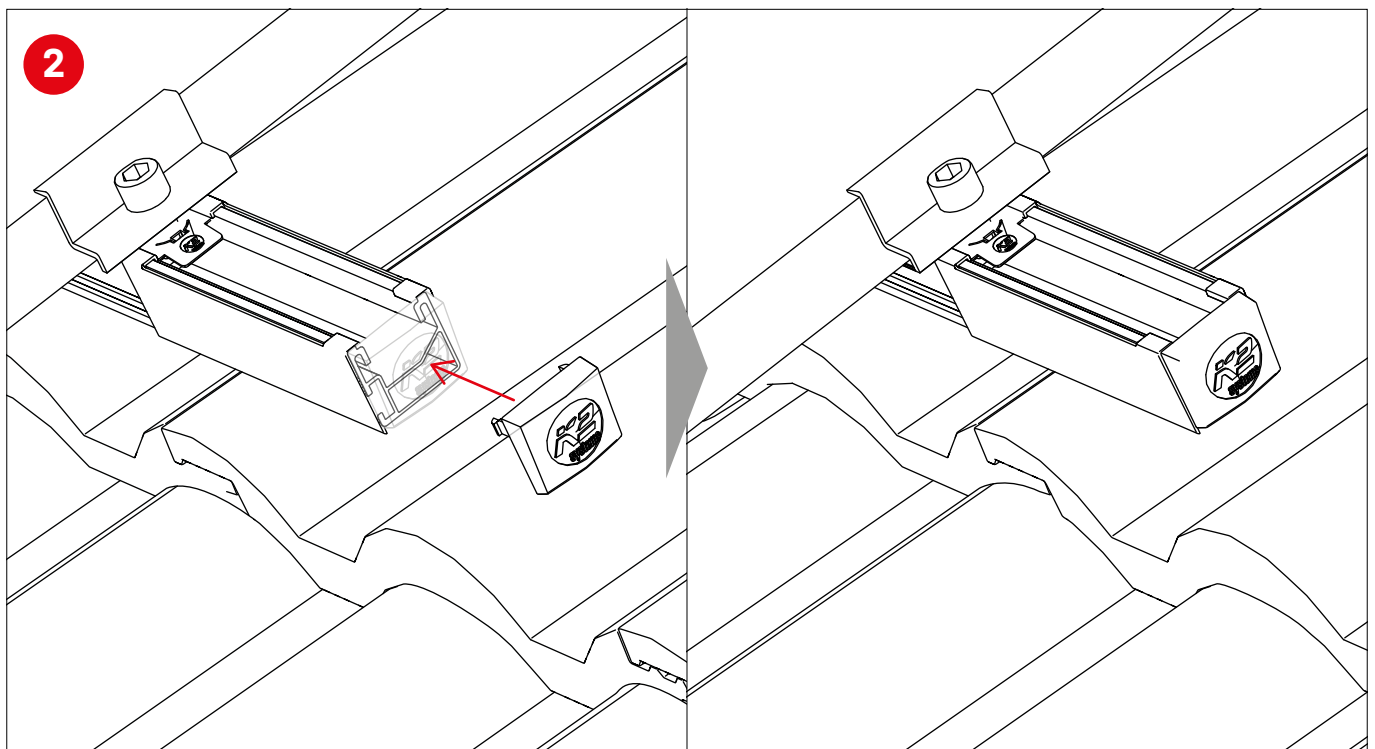
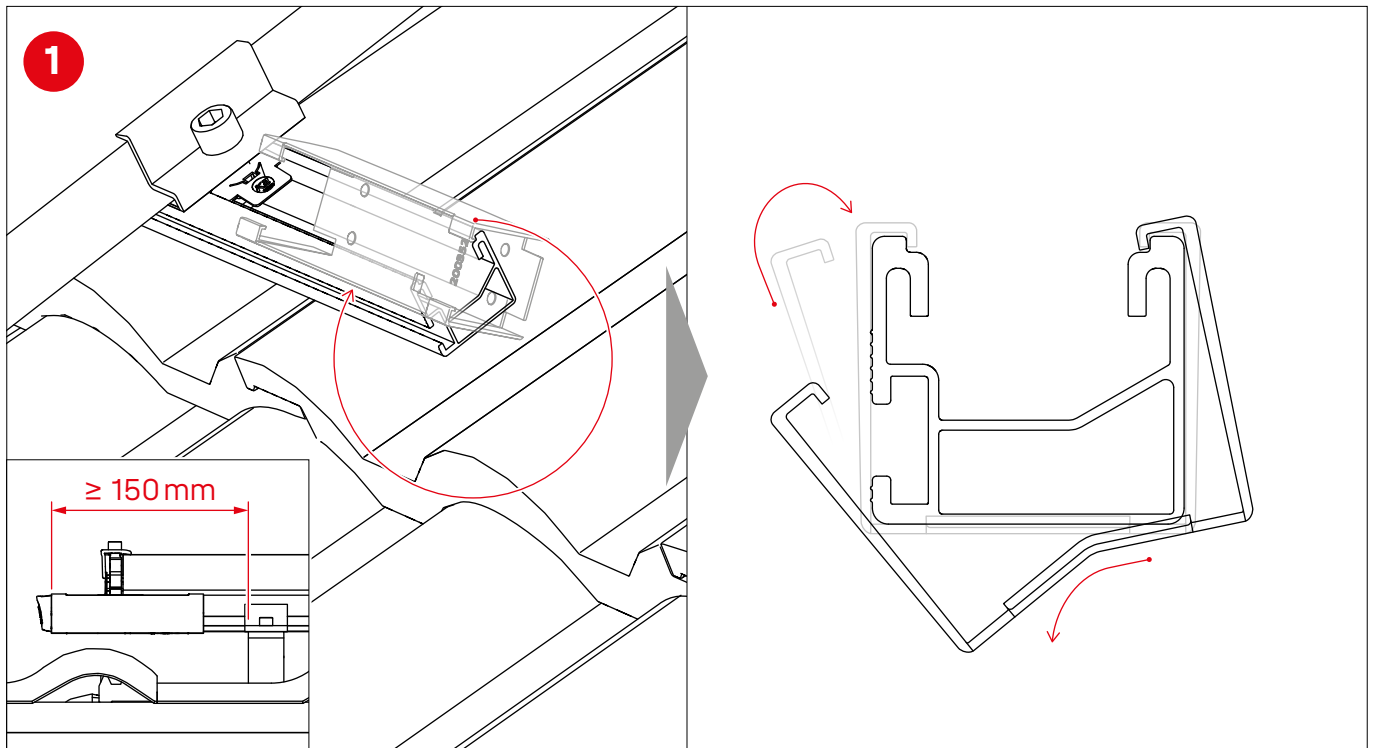


Assembly

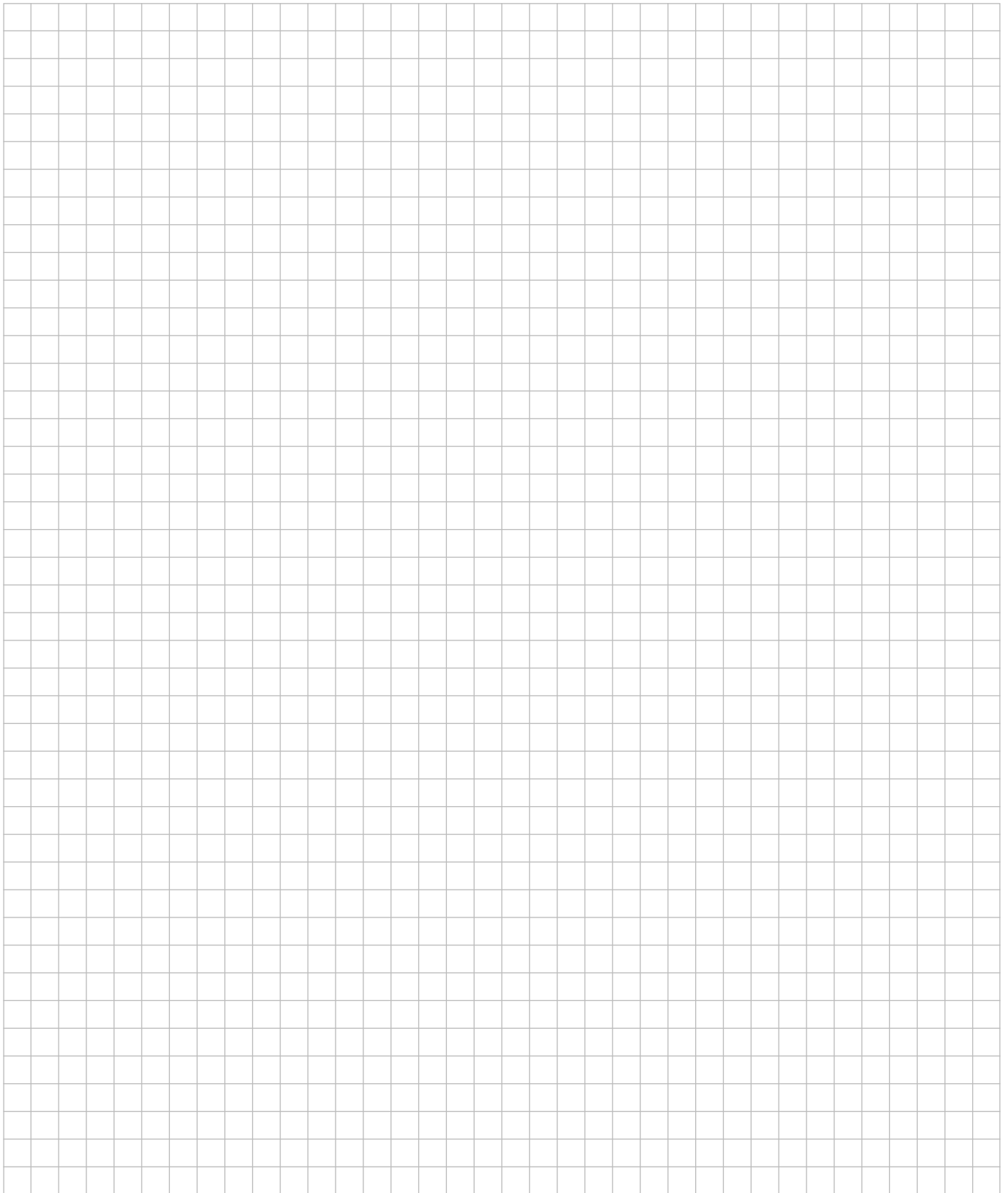
Compensate and underlay height differences

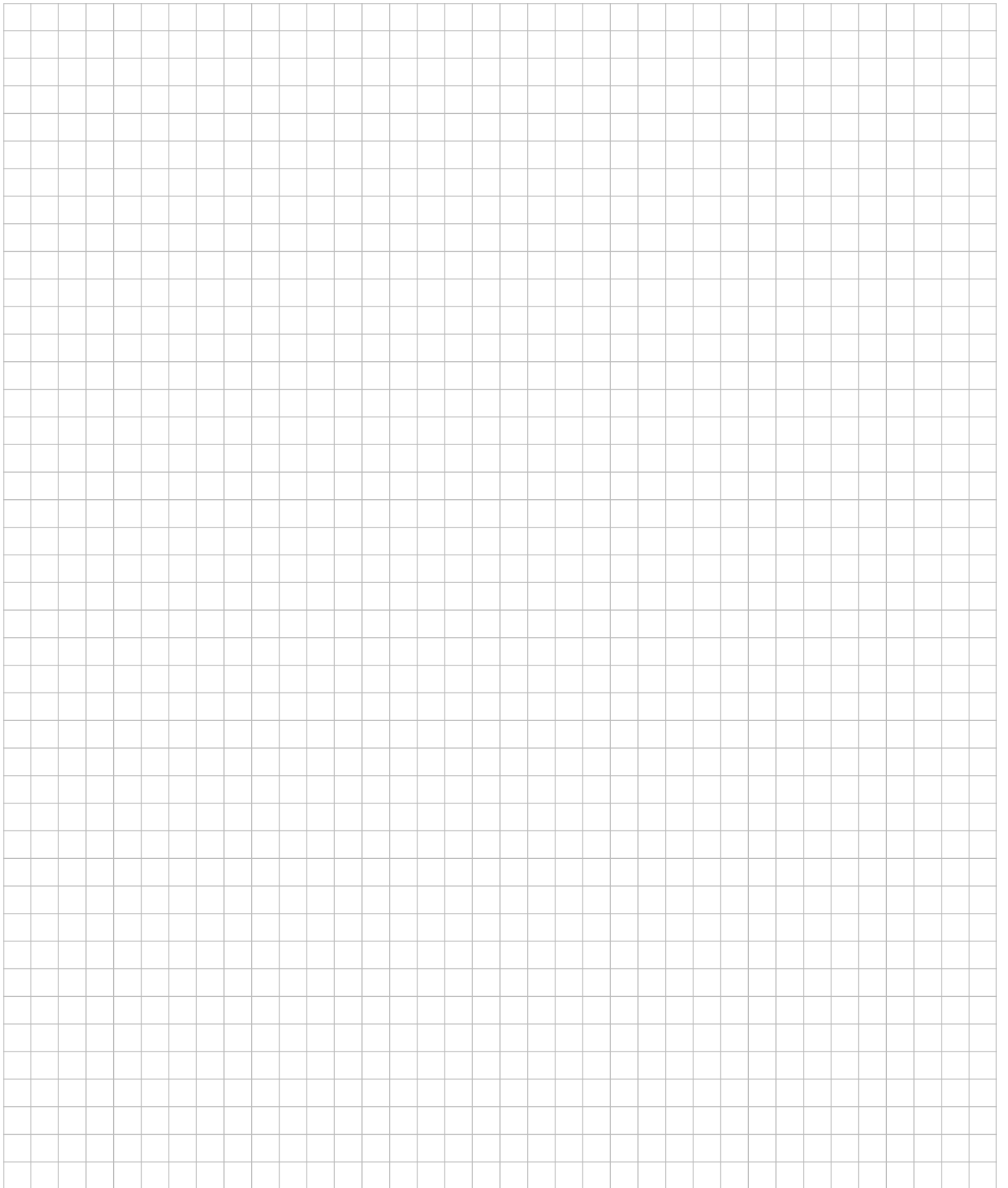


Attach BlackCover and EndCap



Notes





Thank you for choosing a K2 mounting system.

Systems from K2 Systems are quick and easy to install. We hope these instructions have helped. Please contact us with any questions or suggestions for improvement.

Our contact data:

- k2-systems.com/en/contact
- **Service Hotline: +49 (0)7159 42059-0**

German law shall apply excluding the UN Convention on CISG. Place of venue is Stuttgart.

K2 Systems GmbH

Industriestraße 18 · 71272 Renningen · Germany
+49 (0) 7159 - 42059 - 0 · info@k2-systems.com · k2-systems.com

SingleRail Roof Hooks Assembly EN V9 | 0723 · Subject to change
Product illustrations are exemplary and may differ from the original.



Connecting Strength

k2-systems.com